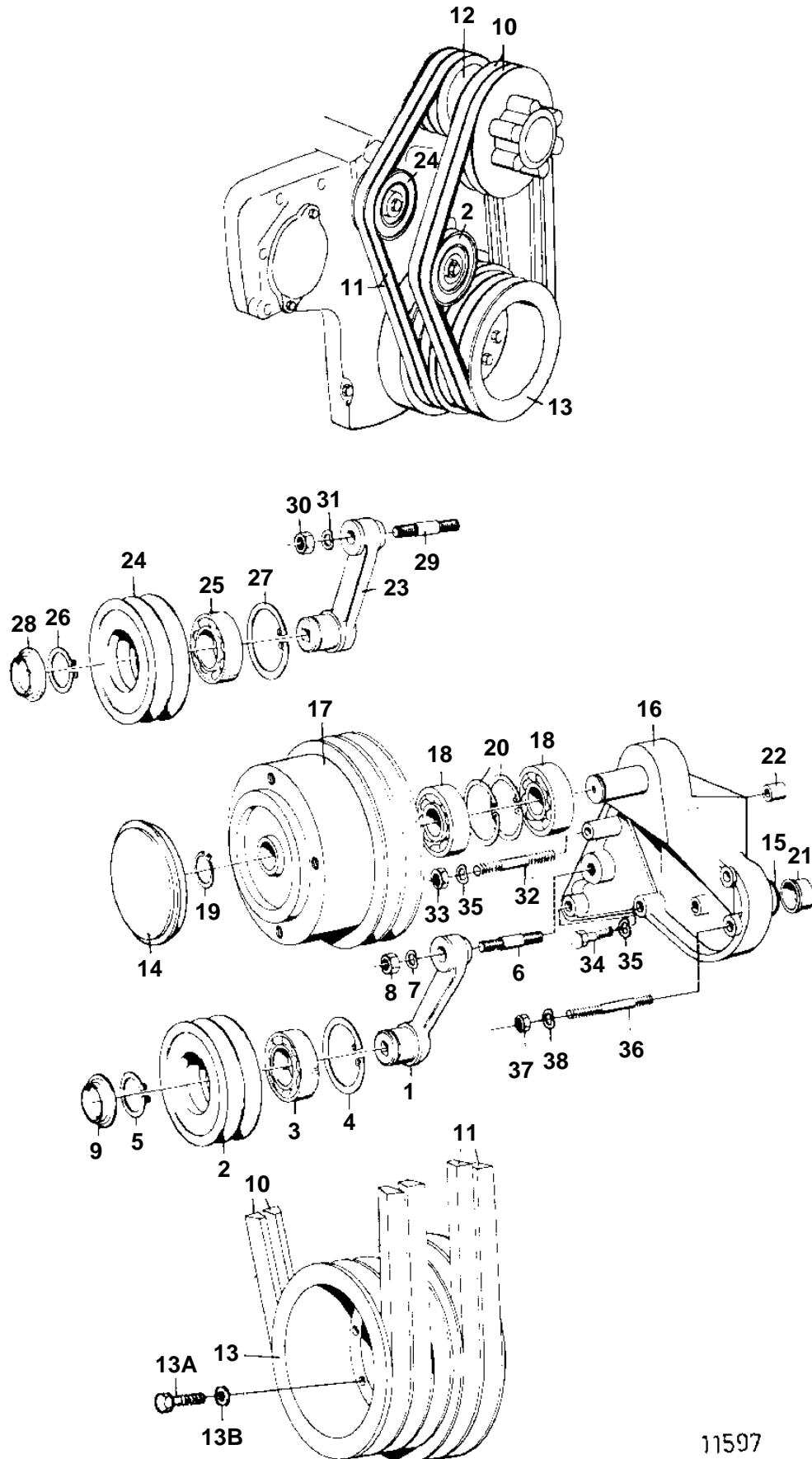


TMD122A



11597

## TMD122A

REF	PART NO.	QTY	DESCRIPTION	NOTES
1	422628	1	Lever	
2	1661878	1	Pulley	With integrated bearing.
3	1544092	1	Ball bearing	For pulley with exchangeable bearing.
4	914533	1	Snap ring	With integrated bearing.
5	914462	1	Lock ring	
6	953353	1	Stud	
7	941911	1	Spring washer	
8	955828	1	Nut	
9	420416	1	Protecting plate	
10	966395	1	V-belt kit	L=2x1225mm
11	966396	1	V-belt kit	L=2x1275mm
12	423125	1	Pulley, water pump	
	422499	1	Pulley, water pump	
	822709	1	Pulley, crankshaft	
13A	955550	12	Screw	
13B	941909	12	Spring washer	
14		1	Cover	
15	1664473	1	O-ring	
16		1	Bracket	
17	823753	1	Pulley	
18	181877	2	Ball bearing	
19	914465	1	Lock ring	
20	914540	2	Lock ring	
21	824294	1	Spacer sleeve	
22	823678	1	Spacer sleeve	
23	423471	1	Lever	
24	411670	1	Pulley	
25	1544092	1	Ball bearing	
26	914462	1	Lock ring	
27	914533	1	Snap ring	
28	420416	1	Protecting plate	
29	953583	1	Stud	L=105mm
30	955828	1	Nut	
31	941911	1	Spring washer	
32	941358	1	Stud	
33	955827	1	Nut	
34	940162	2	Screw	
35	942336	2	Spring washer	
36		2	Stud	L=140mm
	953263	1	Stud	L=50mm
37	955827	3	Nut	
38	942336	3	Spring washer	