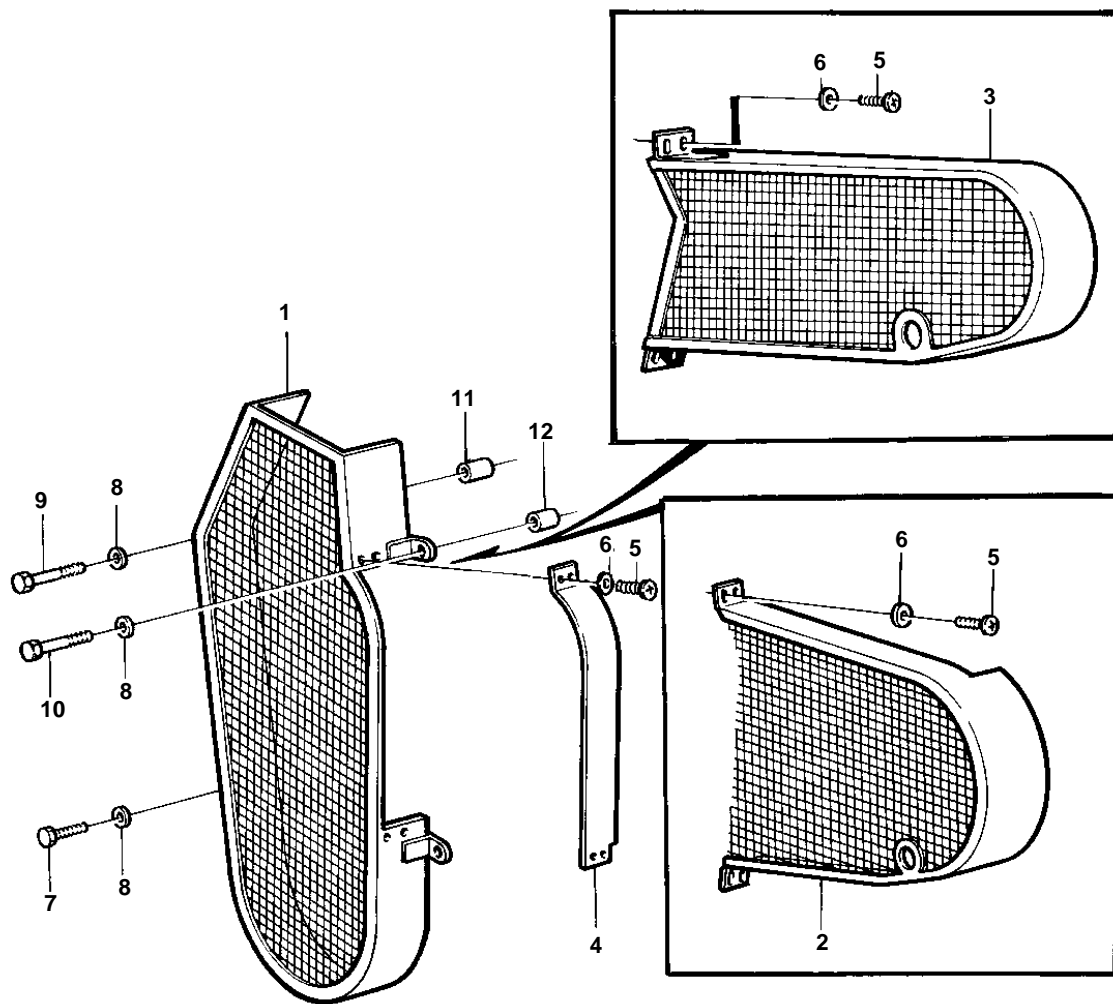


TMD122A, TAMD122A



11605

TMD122A, TAMD122A

REF	PART NO.	QTY	DESCRIPTION	NOTES
1	836730	1	Belt protector	
2	836700	1	Belt protector	Alternator mounted low.
3		1	Belt protector	Alternator mounted high.
4	836063	1	Protecting plate	No alternator.
5	950043	2	Screw	
6	941906	2	Spring washer	
7	955544	2	Screw	
8	942336	4	Spring washer	
9	955541	1	Screw	
10	955539	1	Screw	
11	821541	1	Sleeve	KC
12	824248	1	Sleeve	KC