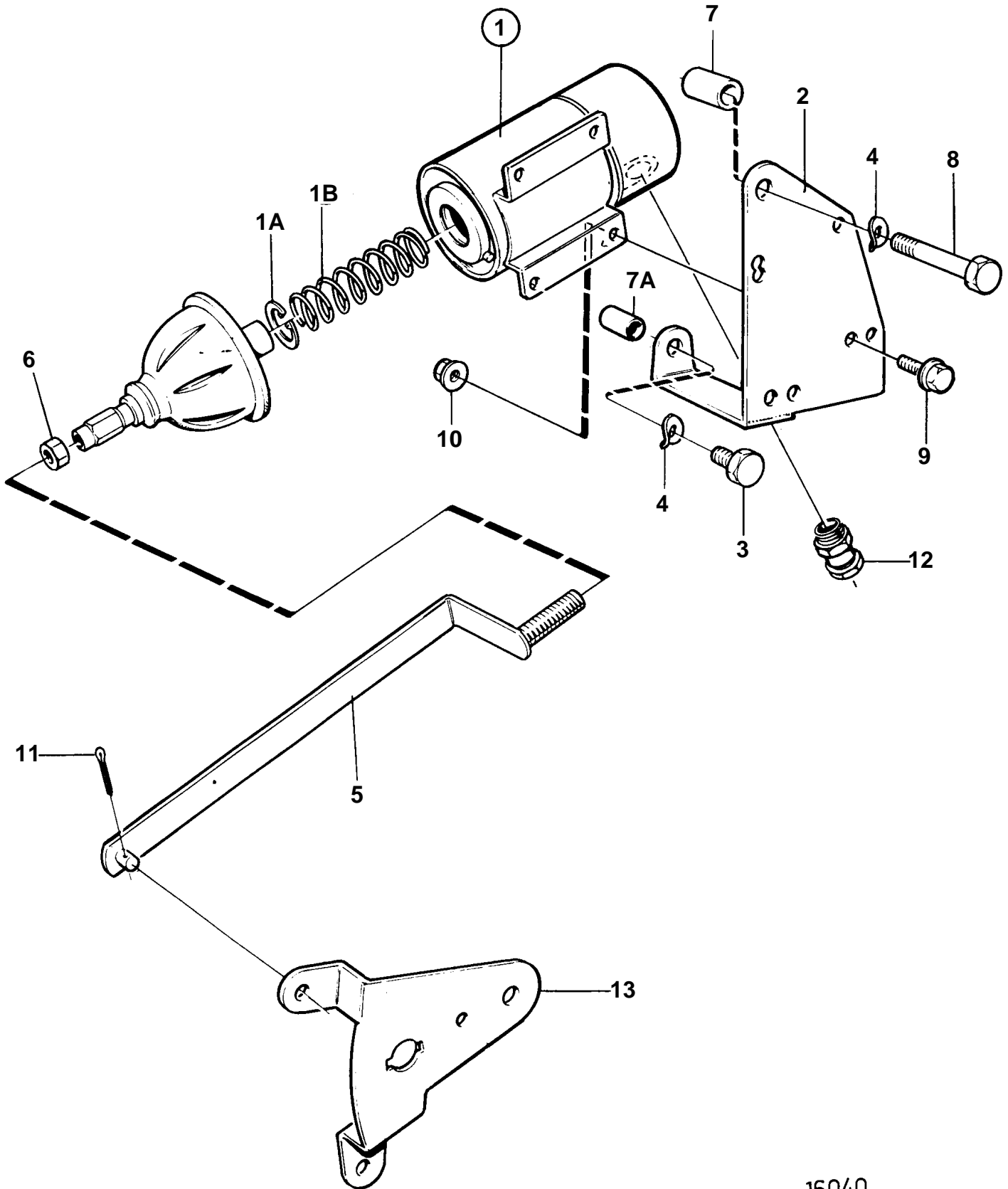


TMD122A, TAMD122A



16040

TMD122A, TAMD122A

REF	PART NO.	QTY	DESCRIPTION	NOTES
1	872825	1	Stop solenoid	(872458)
1A		1	· Snap ring	
1B	847009	1	· Return spring	TH = 1,4mm
2	822649	1	Bracket	
3	955535	1	Screw	
4	942336	2	Spring washer	
5	845444	1	Pull rod	
6	955857	1	Nut	
7	822779	1	Spacer sleeve	
7A	820506	1	Spacer sleeve	
8	955541	1	Screw	
9	946544	4	Flange screw	
10	945407	4	Flange nut	
11	907824	1	Cotter pin	
12	844576	1	Cable union	(881191)
13	848677	1	Lever	SEE GROUP 23