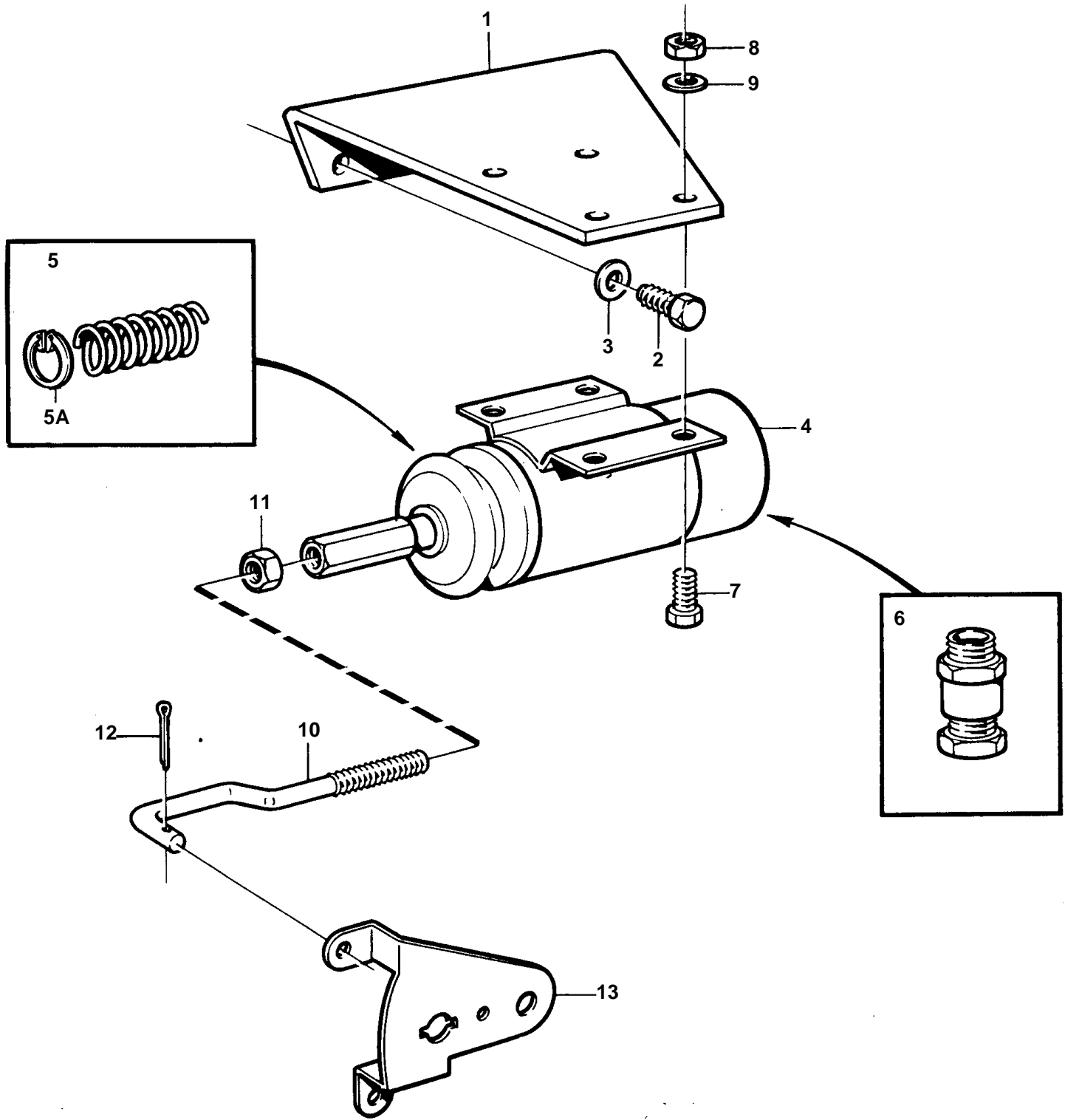


TMD122A, TAMD122A



16039

TMD122A, TAMD122A

REF	PART NO.	QTY	DESCRIPTION	NOTES
1	863222	1	Bracket	
2	940114	2	Screw	
3	942336	2	Spring washer	
4	872825	1	Stop solenoid	(872458)
5	847009	1	· Return spring	TH = 1,4mm
5A		1	· Snap ring	
6	844576	1	Cable union	(881191)
7	955524	4	Screw	
8	955826	4	Nut	
9	941907	4	Spring washer	
10		1	Pull link	
11	955847	1	Nut	
12	907824	1	Cotter pin	
13	848677	1	Lever	SEE GROUP 23