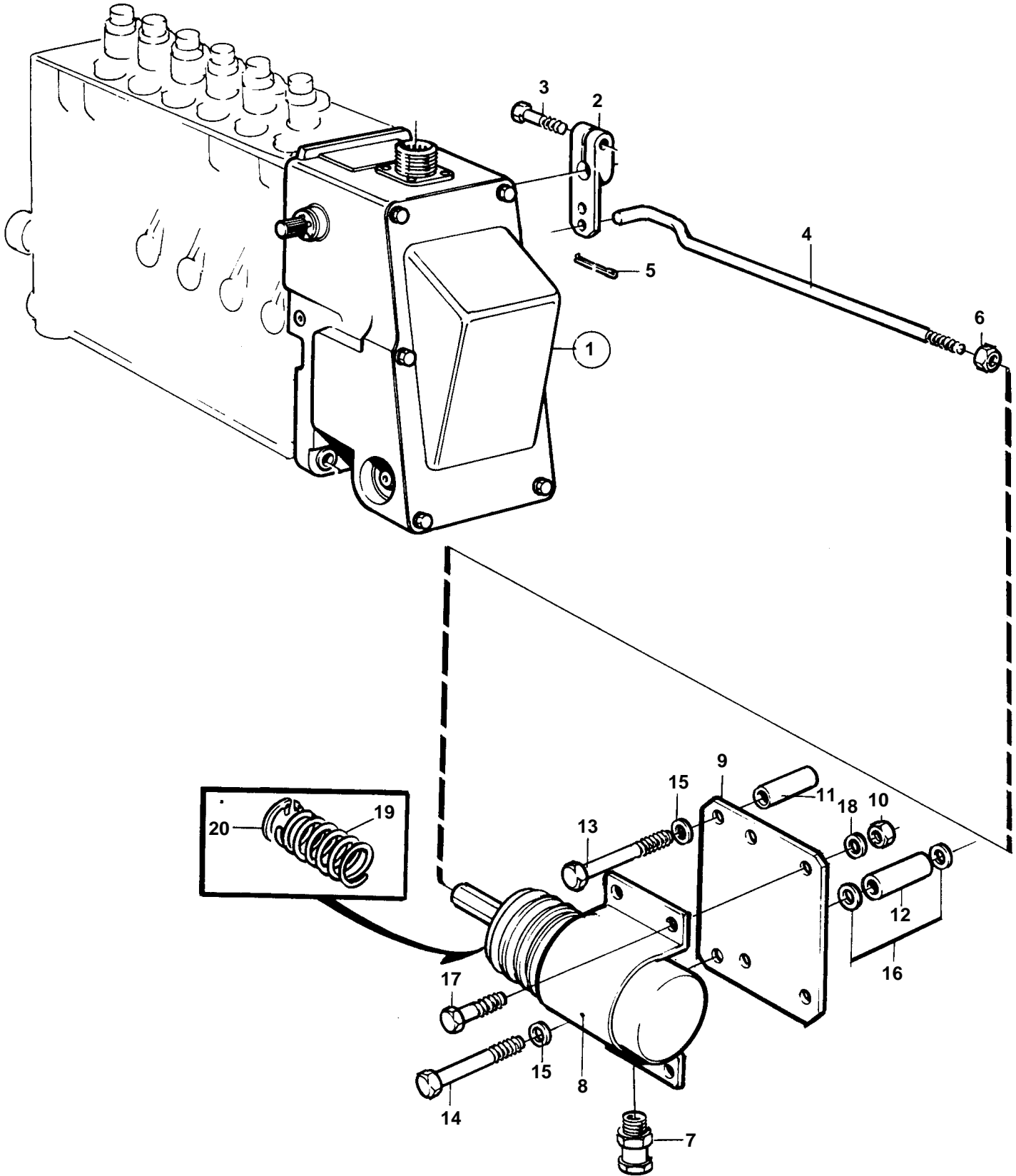


TMD122A, TAMD122A



16019

TMD122A, TAMD122A

REF	PART NO.	QTY	DESCRIPTION	NOTES
1	848990	1	Actuator	AMBAC. Replaced by governor 866167 + mounting kit 866169.
2	846426	1	Lever	
3	955637	1	Screw	
4		1	Pull link	
5	907824	1	Cotter pin	
6	955857	1	Nut	
7	881191	1	Cable union	
8	872825	1	Stop solenoid	24V (881532)
9	846422	1	Bracket	
10	955781	4	Nut	
11	846424	1	Spacer sleeve	L=64mm
12	846425	1	Spacer sleeve	L=30mm
13	955542	1	Screw	
14	955537	1	Screw	
15	942336	2	Spring washer	
16	961170	2	Washer	
17	955270	4	Screw	
18	941906	4	Spring washer	
19	847009	1	Return spring	
20		1	Snap ring	