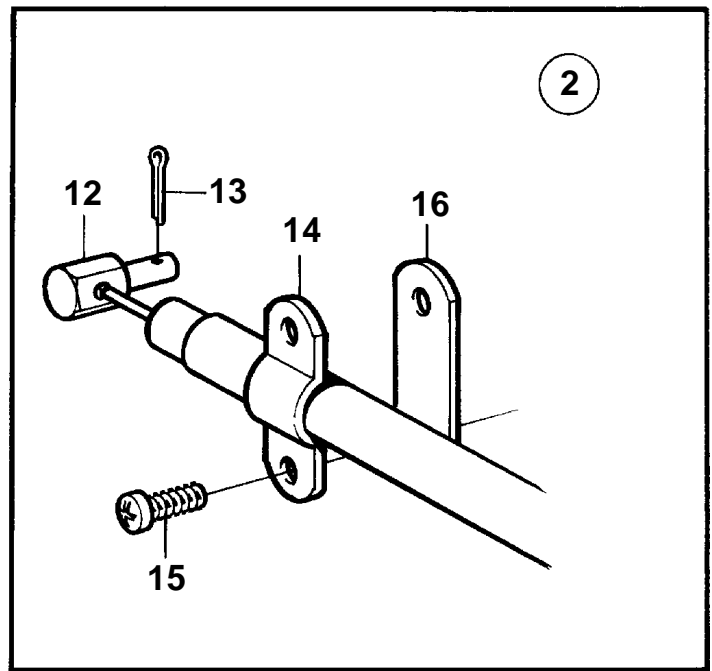
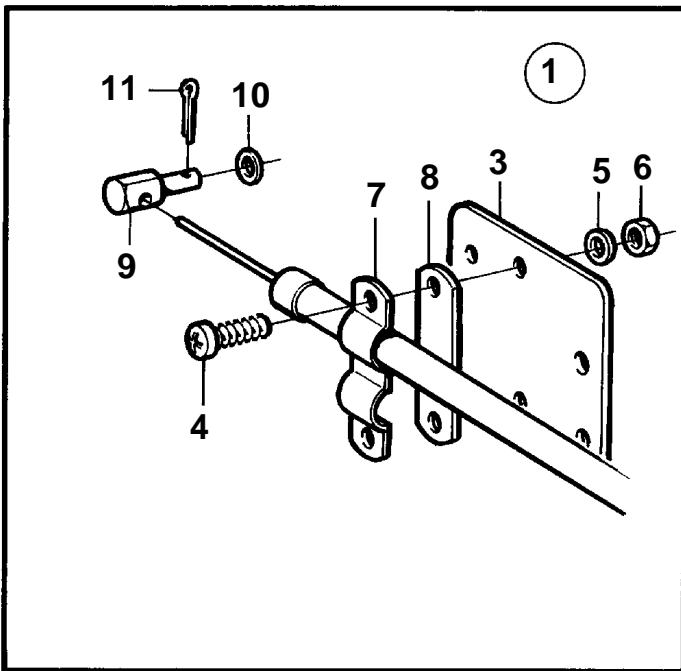
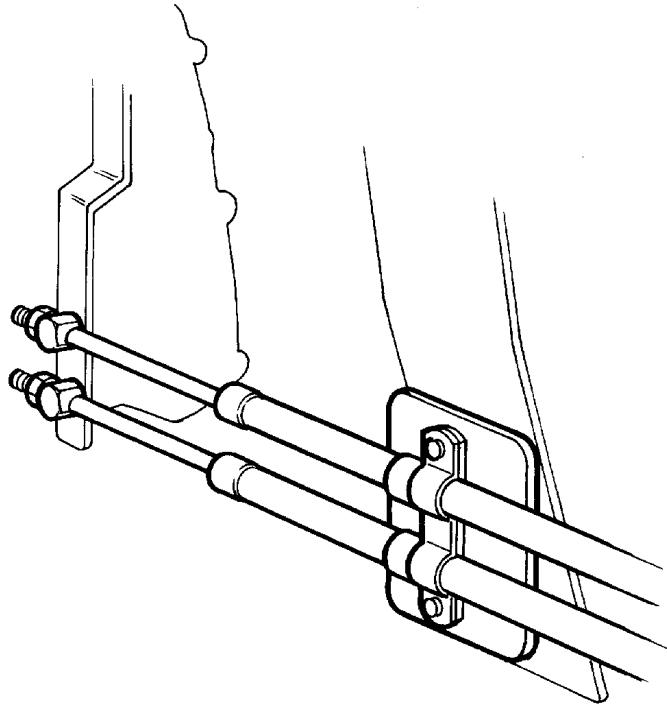


TMD122A, TAMD122A, TAMD122P-A, TAMD122P-B, TAMD122P-C



8745

TMD122A, TAMD122A, TAMD122P-A, TAMD122P-B, TAMD122P-C

REF	PART NO.	QTY	DESCRIPTION	NOTES
2	853218	1	Mounting kit	For control cable type 443.
12	853217	1	• Cube	
13	17276	1	• Cotter pin	
14	6853782	1	• Clamp	
15	950206	2	• Screw	
16	819068	1	• Washer	