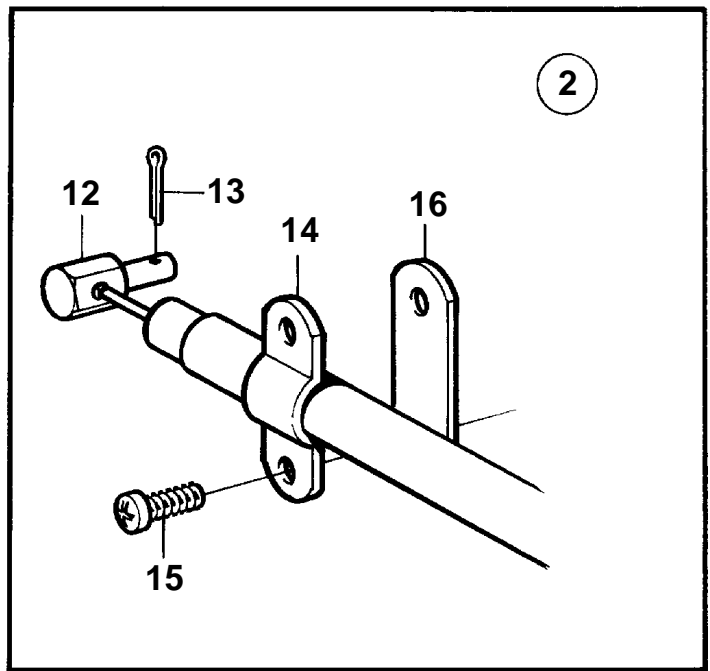
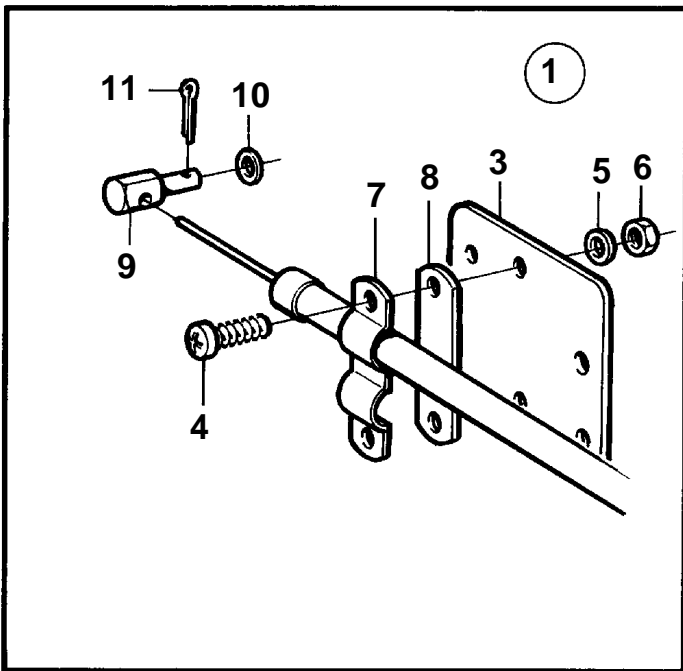
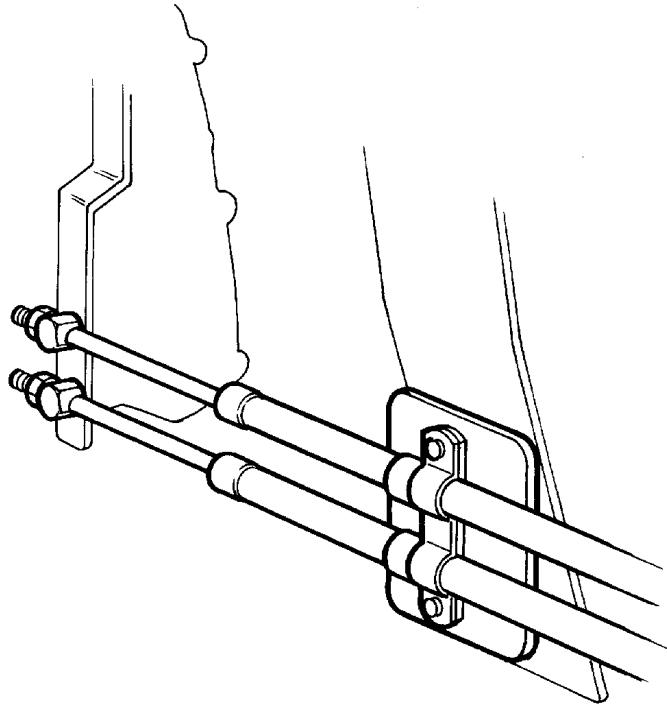


TMD122A, TAMD122A, TAMD122P-A, TAMD122P-B, TAMD122P-C



8745

TMD122A, TAMD122A, TAMD122P-A, TAMD122P-B, TAMD122P-C

REF	PART NO.	QTY	DESCRIPTION	NOTES
1		1	Speed control kit	For control cable type 333.
4	950021	2	· Screw	
5	941905	4	· Spring washer	
6	951674	2	· Lock nut	
7	850182	1	· Cable attachment	
8	850183	1	· Spacer	
9	814085	2	· Cube	
10	941906	2	· Spring washer	
11	17276	2	· Cotter pin	