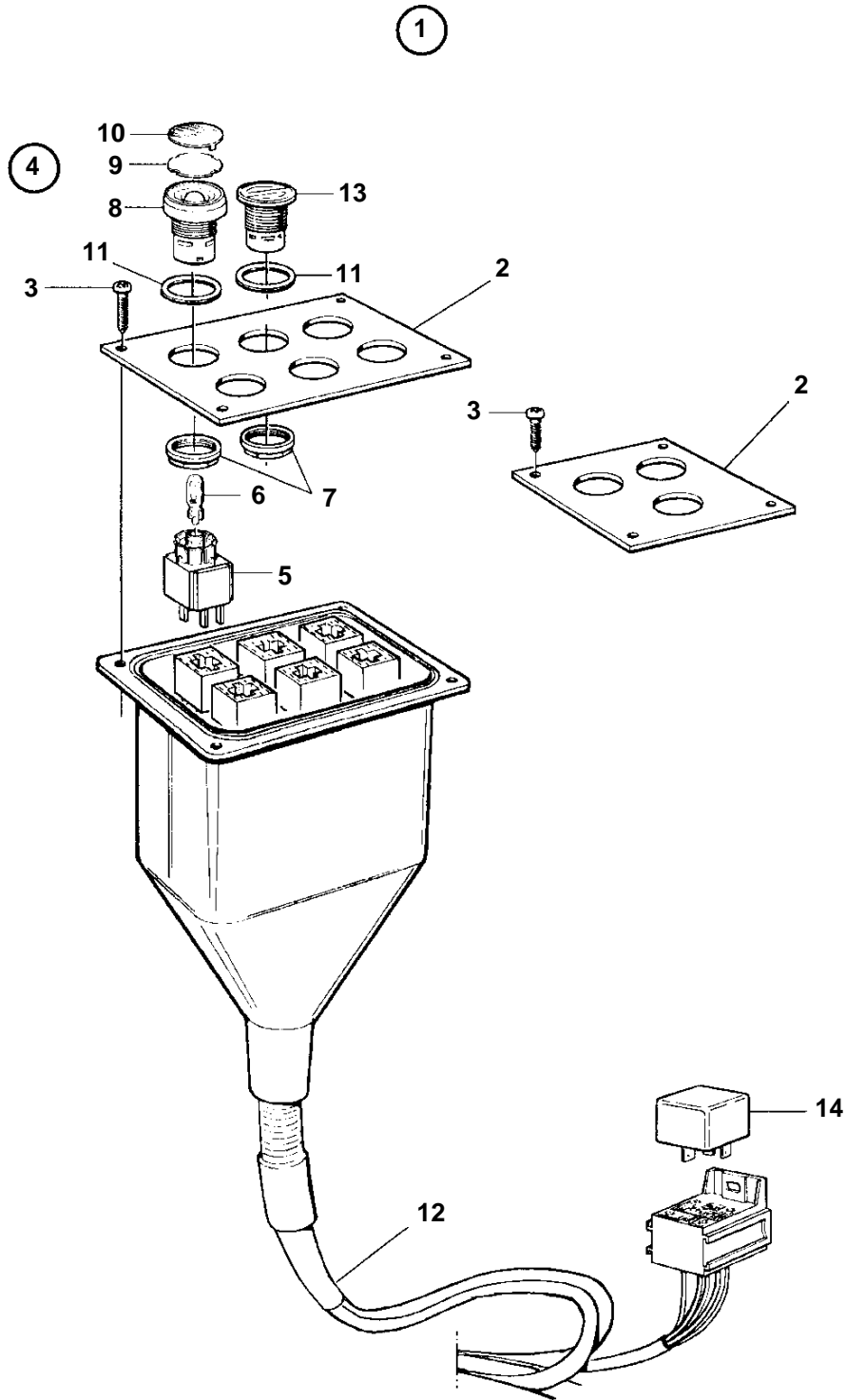


TMD122A, TAMD122A, TAMD122P-A, TAMD122P-B, TAMD122P-C



17080

TMD122A, TAMD122A, TAMD122P-A, TAMD122P-B, TAMD122P-C

REF	PART NO.	QTY	DESCRIPTION	NOTES
1	873890	1	Control panel	3 HOLE, 12V. Single engine installation. For two or more stations.
	873891	1	Control panel	3 HOLE, 24V. Single engine installation. For two or more stations.
2	873650	1	· Plate	3 HOLE. Single engine installation. For two or more stations.
3	828647	4	· Screw	
4	876950	3	· Push button	
5		3	· · Connector unit	
6	942327	3	· · Bulb	12V, 1,2W
	943638	3	· · Bulb	24V, 1,2W
7		3	· · Attaching ring	
8		3	· · Button	
9		18	· · Symbol strip	
10		3	· · Cover plate	GREEN
		3	· · Cover plate	YELLOW
		3	· · Cover plate	RED
		3	· · Cover plate	BLUE
11		3	· · Gasket	
12	873857	1	· Cable kit	
13	873750	X	· Plastic plug	