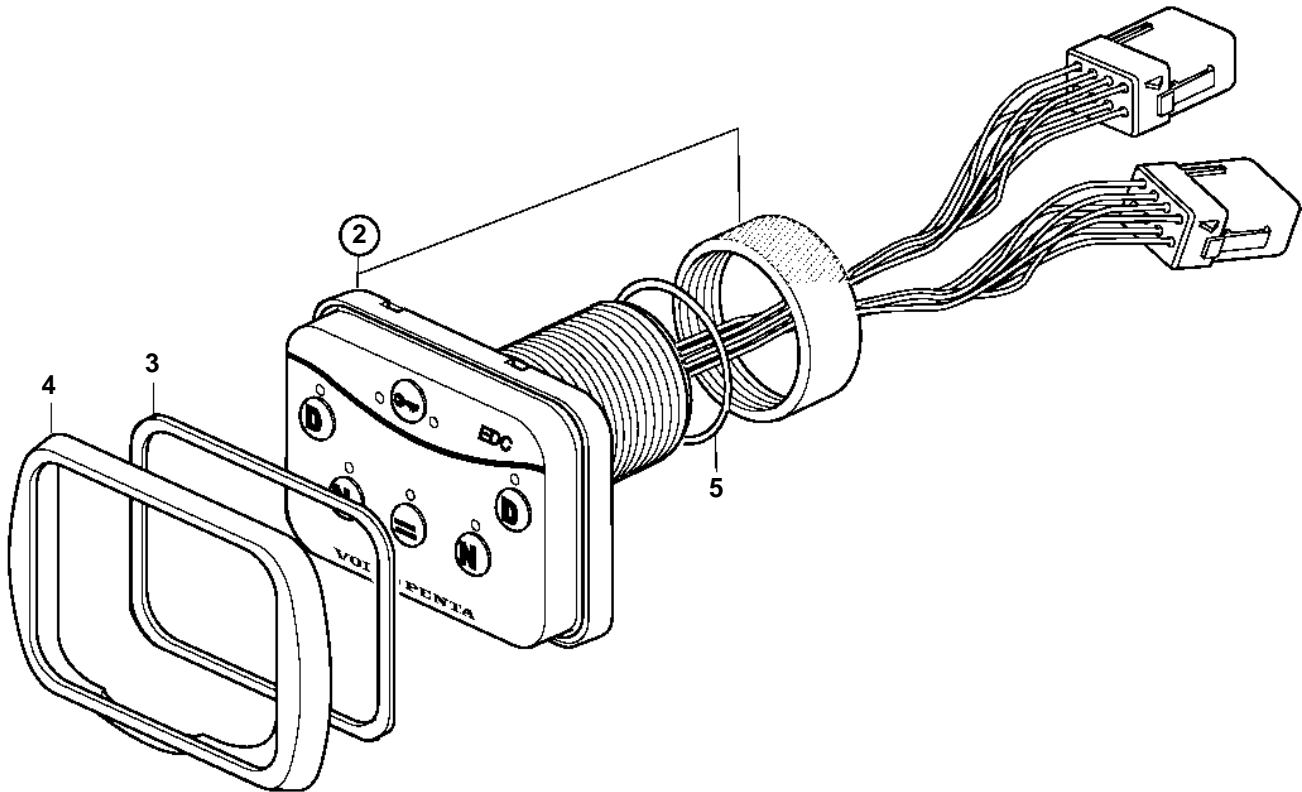
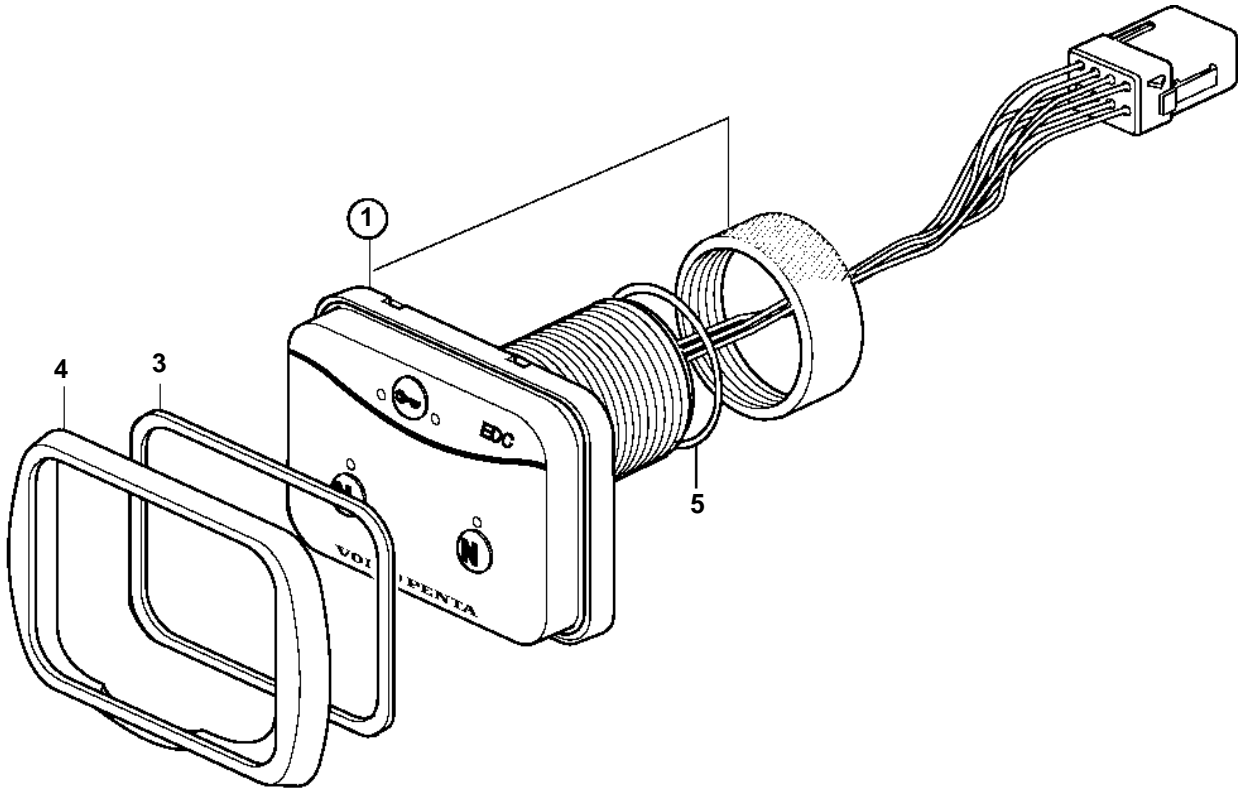


TMD122A, TAMD122A, TAMD122P-A, TAMD122P-B, TAMD122P-C



TMD122A, TAMD122A, TAMD122P-A, TAMD122P-B, TAMD122P-C

| REF | PART NO. | QTY | DESCRIPTION | NOTES |
|-----|----------|-----|---------------|---|
| 1 | 874121 | 1 | Control panel | Single engine installation. For single or multi stations.. For 2x8-pole system. |
| 3 | 874192 | 1 | • Gasket | ALT |
| 4 | 874149 | 1 | • Frame | ALT |
| 5 | 874191 | 1 | • O-ring | |
| | | | | |