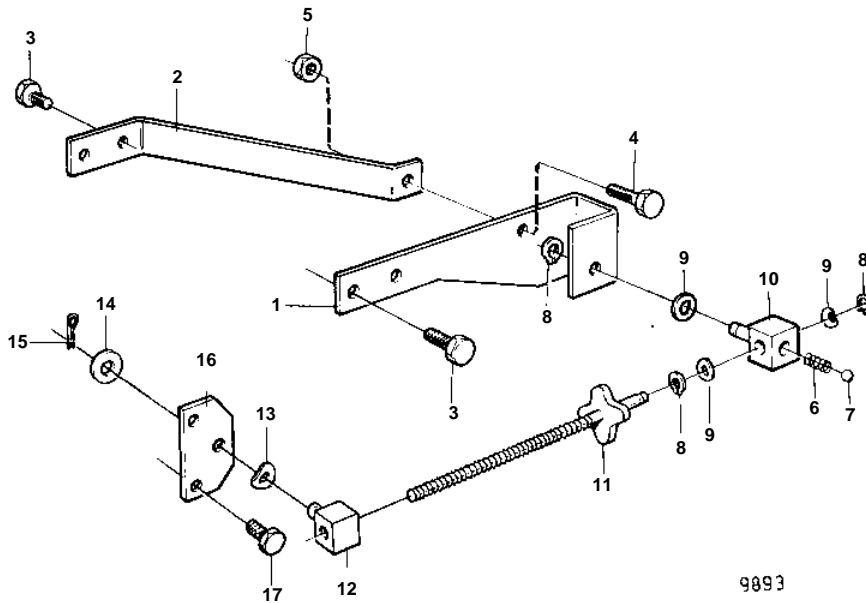
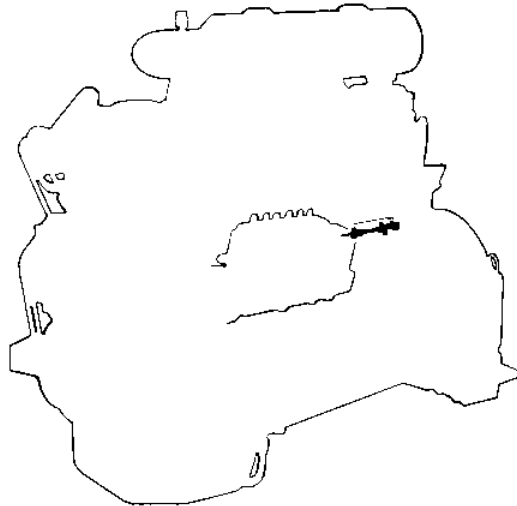


TMD122A, TAMD122A



TMD122A, TAMD122A

REF	PART NO.	QTY	DESCRIPTION	NOTES
1	862328	1	Bracket	
2	849648	1	Support	
3	945414	4	Screw	
4	945414	1	Screw	
5	945407	1	Flange nut	
6	88333	1	Spring	
7	26694	1	Ball	
8	955964	3	Snap ring	
9	69556	3	Spring washer	
10	862297	1	Cube	
11	846657	1	Control rod	
12	862121	1	Cube	
13	69556	1	Spring washer	
14	955894	1	Washer	
15	664822	1	Lock spring	
16	847167	1	Control attachment	
17	967949	2	Screw	(965175)