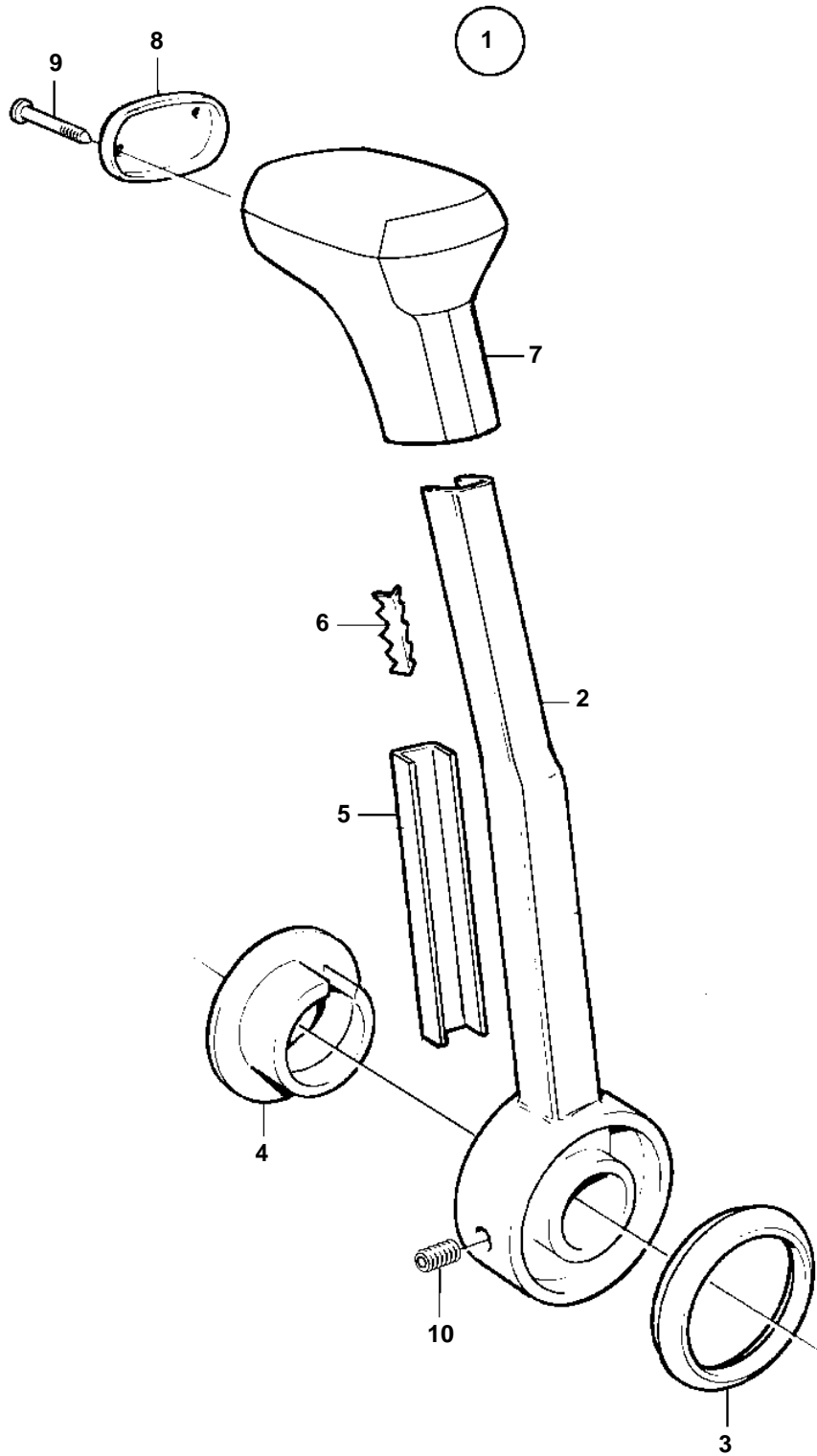


KAD32P-A, TAMD42WJ-A, KAMD43P-A, KAD43P-A, TAMD63L-A, TAMD63L-B, TAMD103A-A, TAMD162A, TAMD162B, TAMD162C, TAMD162C-B, D2-55A



KAD32P-A, TAMD42WJ-A, KAMD43P-A, KAD43P-A, TAMD63L-A, TAMD63L-B, TAMD103A-A, TAMD162A, TAMD162B, TAMD162C, TAMD162C-B, D2-55A

| REF | PART NO. | QTY | DESCRIPTION     |
|-----|----------|-----|-----------------|
| 1   | 852347   | 1   | Lever           |
| 2   | 828911   | 1   | · Lever         |
| 3   | 852995   | 1   | · Ring          |
| 4   | 853004   | 1   | · Push button   |
| 5   | 852991   | 1   | · Rail          |
| 6   | 853000   | 1   | · Striker plate |
| 7   | 852989   | 1   | · Handle        |
| 8   | 852992   | 1   | · Cover         |
| 9   | 853003   | 2   | · Nail          |
| 10  | 963678   | 1   | · Screw         |