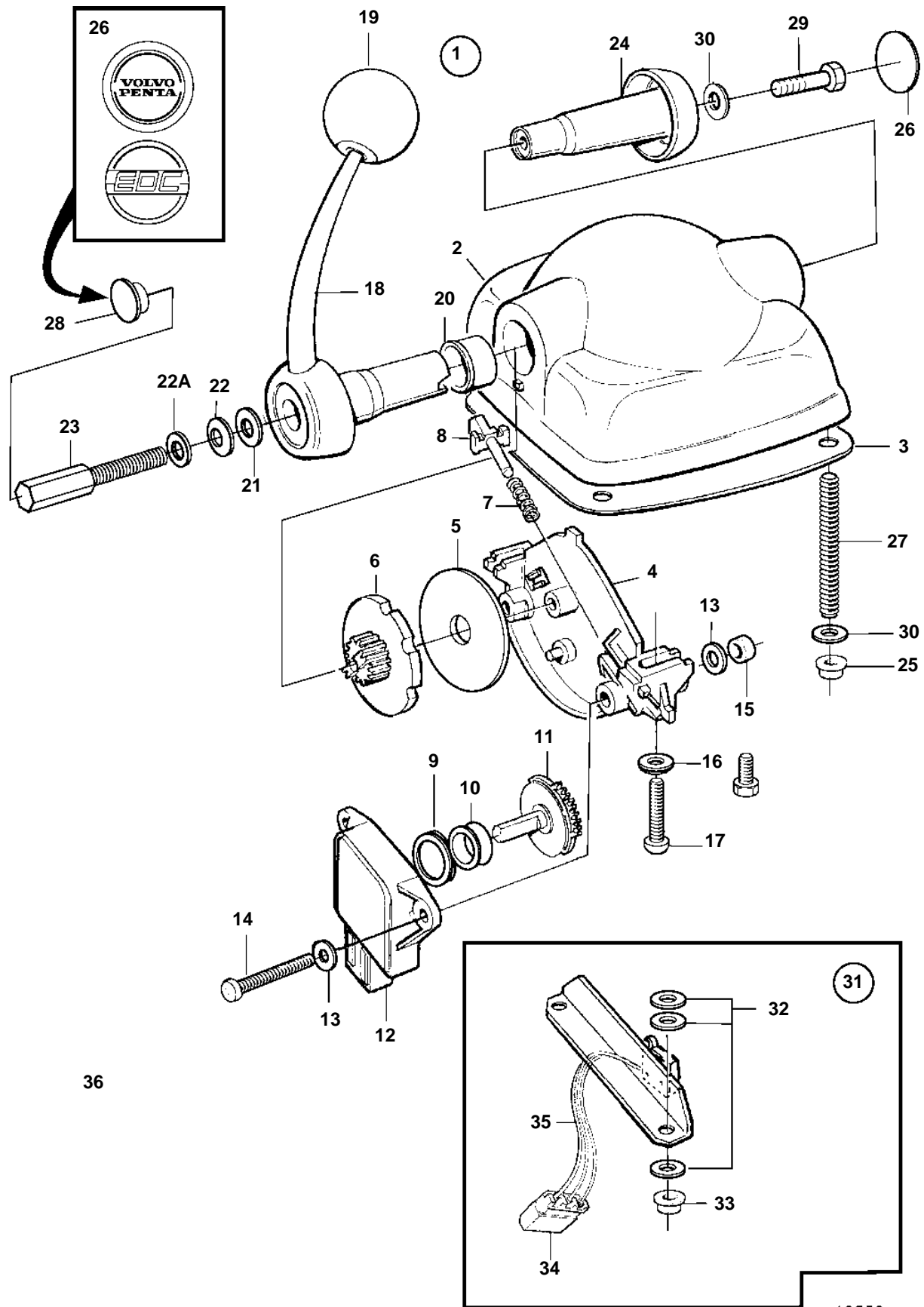


KAMD44P-A, KAD44P-A, KAMD44P-B, KAD44P-B, KAMD44P-C, KAD44P-C, KAMD300-A, KAD300-A, D12C-A MP, D12D-A MH, TAMD122P-B, TAMD122P-C



KAMD44P-A, KAD44P-A, KAMD44P-B, KAD44P-B, KAMD44P-C, KAD44P-C, KAMD300-A, KAD300-A, D12C-A MP, D12D-A MH, TAMD122P-B, TAMD122P-C

REF	PART NO.	QTY	DESCRIPTION	SEE SEC.	NOTES
1	874663	1	Control		(1140658). For twin installation.
2		1	· Control housing		
3	3581674	1	· Gasket		
4		1	· Plate		
5	3581666	2	· Washer		
6		2	· Plate		
7		2	· Spring		
8		2	· Lug		
9		2	· Spacer ring		
10	3581676	2	· Ring		
11	3581668	2	· Gear		
12	1336385	2	· Potentiometer		
13		4	· Washer		
14	3581678	2	· Screw		
15	3581680	2	· Nut		
16		2	· Washer		
17	3581681	2	· Screw		
18		2	· Lever		
19	3581675	2	· Ball		
20	3581673	2	· Bearing		
21		2	· Washer		
22		2	· Disc spring		
22A		2	· Washer		
23		2	· Adjusting screw		
25	3581686	4	· Nut		
26	3584000	2	· Decal		VOLVO PENTA
	3581669	2	· Decal		EDC
27		4	· Stud		
28	3582830	2	· Plug		
30		4	· Washer		
31	873870	2	Microswitch		
36		1	Control panel	4372	