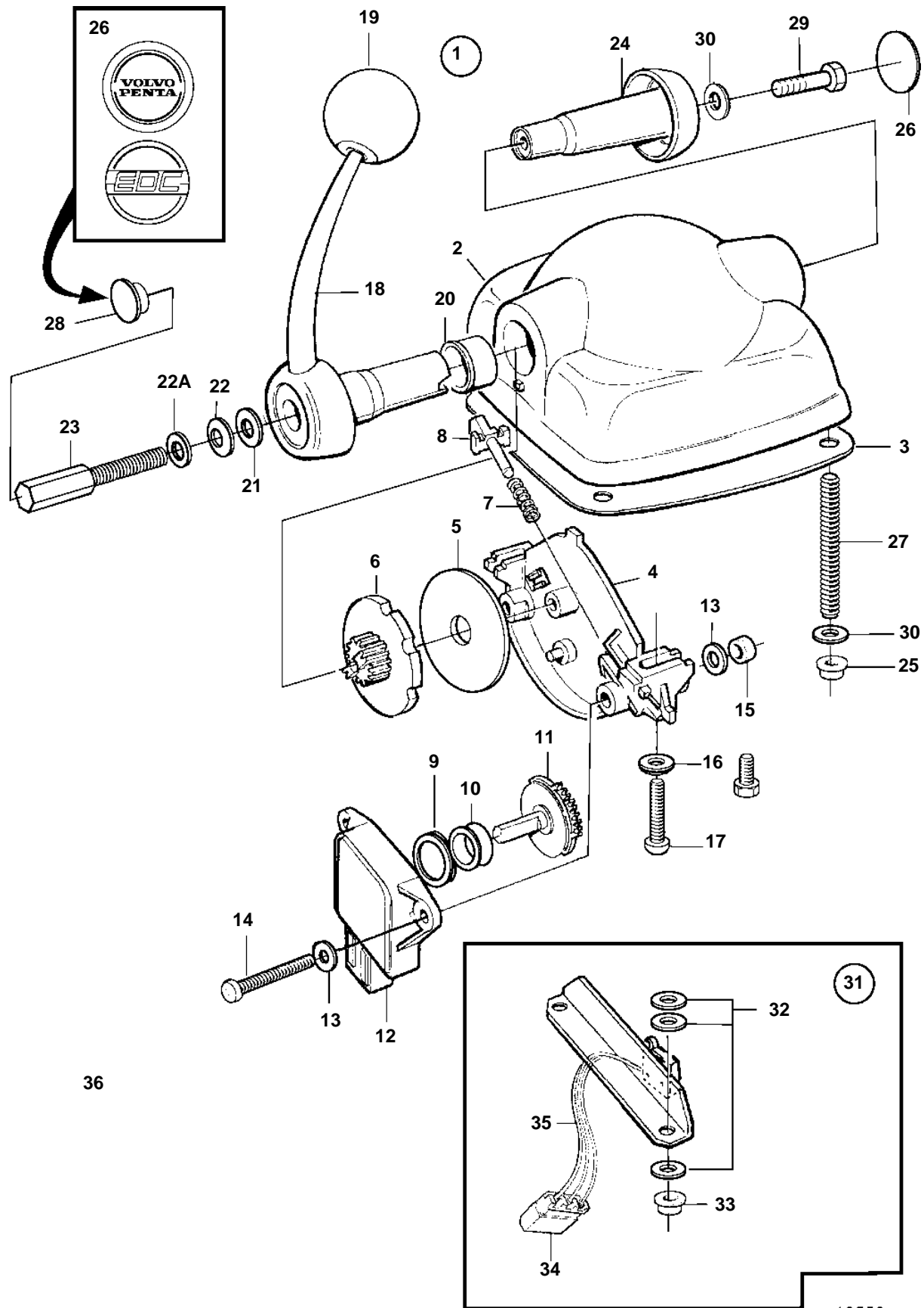


KAMD44P-A, KAD44P-A, KAMD44P-B, KAD44P-B, KAMD44P-C, KAD44P-C, KAMD300-A, KAD300-A, D12C-A MP, D12D-A MH, TAMD122P-B, TAMD122P-C



KAMD44P-A, KAD44P-A, KAMD44P-B, KAD44P-B, KAMD44P-C, KAD44P-C, KAMD300-A, KAD300-A, D12C-A MP, D12D-A MH, TAMD122P-B, TAMD122P-C

REF	PART NO.	QTY	DESCRIPTION	SEE SEC.	NOTES
1	874734	1	Control		(1140657). For singel installation.
2		1	· Control housing		
3	3581674	1	· Gasket		
4		1	· Plate		
5	3581666	1	· Washer		
6		1	· Plate		
7		1	· Spring		
8		1	· Lug		
9		1	· Spacer ring		
10	3581676	1	· Ring		
11	3581668	1	· Gear		
12	1336385	1	· Potentiometer		
13		4	· Washer		
14	3581678	2	· Screw		
15	3581680	2	· Nut		
16		2	· Washer		
17	3581681	2	· Screw		
18		1	· Lever		
19	3581675	1	· Ball		
20	3581673	1	· Bearing		
21		1	· Washer		
22		1	· Disc spring		
22A		1	· Washer		
23		1	· Adjusting screw		
24	3581687	1	· Plug		
25	3581686	4	· Nut		
26	3584000	1	· Decal		VOLVO PENTA
	3581669	1	· Decal		EDC
27		4	· Stud		
28	3582830	1	· Plug		
29		1	· Screw		
30		5	· Washer		
31	873870	1	Microswitch		
32		6	· Washer		
33		2	· Nut		
34		X	· Housing		SEE GROUP 30
35		X	· Cable		SEE GROUP 30
36		1	Control panel		
				4372	