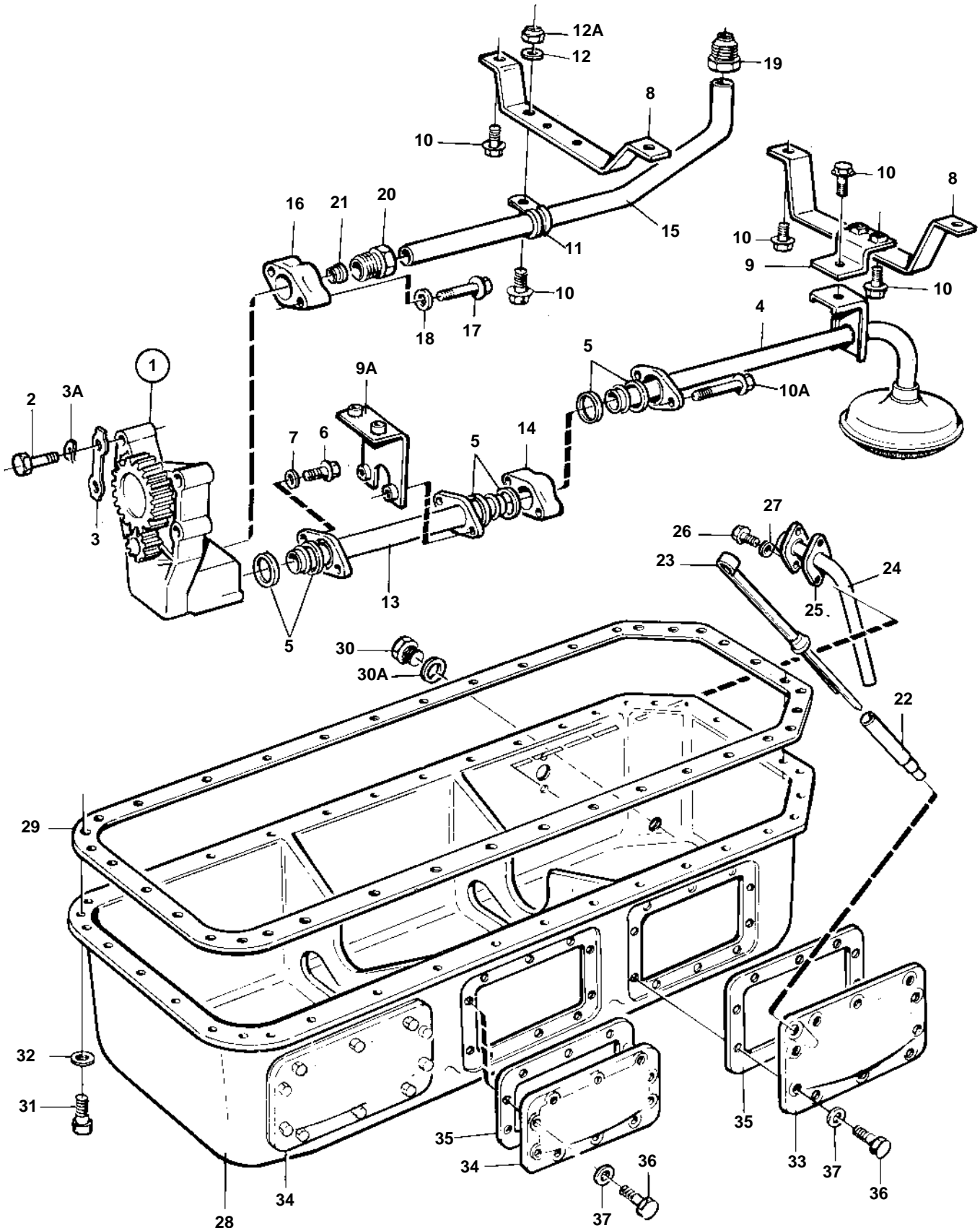


TMD121C, TAMD121C, TAMD121D



16192

TMD121C, TAMD121C, TAMD121D

REF	PART NO.	QTY	DESCRIPTION	SEE SEC.	NOTES
	470343	1	Oil pump		
				1736	
2	955538	4	Screw		
3	190529	2	Lock washer		EARLY TYPE
3A	942336	4	Spring washer		LATE TYPE
4	847288	1	Oil pump screen		
5	470383	6	Sealing ring		
6	955533	2	Screw		
7	941907	2	Spring washer		
8	470918	2	Bracket		
9	847346	1	Bracket		
9A	847347	1	Bracket		
10	942402	8	Flange screw		
10A	955527	2	Screw		
11	1545432	1	Clamp		I=20mm
12	941907	1	Spring washer		
12A	945467	1	Nut		
13	847289	1	Tube		
14	847286	1	Flange		
15	470375	1	Pipe		
16	470376	1	Intermediate section		
17	959794	2	Screw		
18	941907	2	Spring washer		
19	466908	1	Fitting		
20	470377	1	Fitting		
21	956973	1	Ferrule		
22	846922	1	Tube		
23	822542	1	Oil dipstick		
24	896775	1	Tube		
25	862602	1	Gasket		
26	955525	2	Screw		
27	941907	2	Spring washer		
28	822586	1	Oil pan, cast iron		REPLACED BY 864328
	864328	1	Oil pan, aluminum		
29	470745	1	Gasket		
30	968216	1	Plug		FOR 822586
	960634	1	Plug		FOR 864328
30A	947627	1	Gasket		FOR 864328
31	956570	43	Screw		
32	941906	43	Spring washer		
33	866354	1	Hatch		(822588)
34	866355	2	Hatch		STD (822587)
	866355	1	Hatch		(822587). When oil supervision is installed.
35	862595	3	Gasket		
36	955535	30	Screw		
37	942336	30	Spring washer		