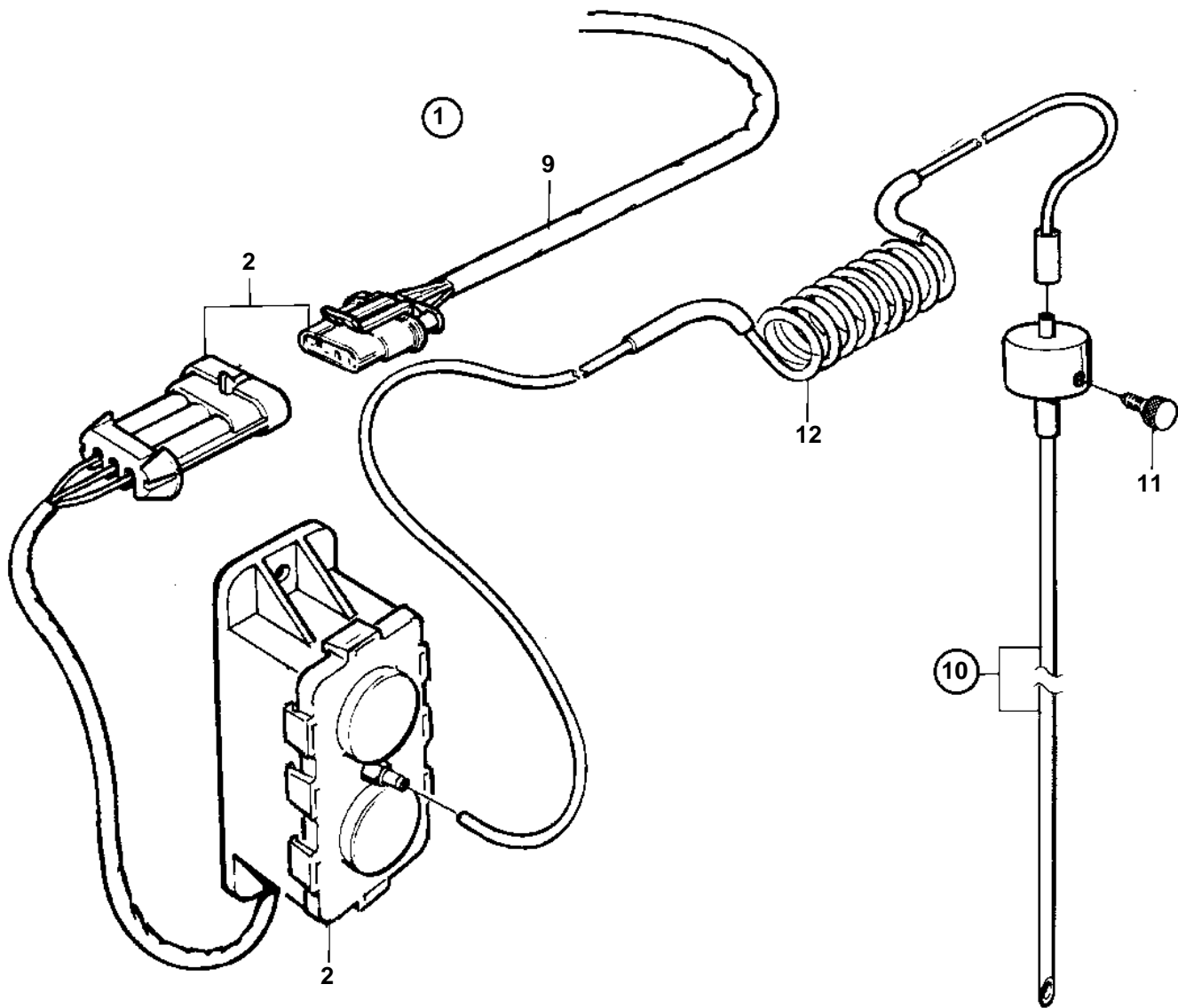
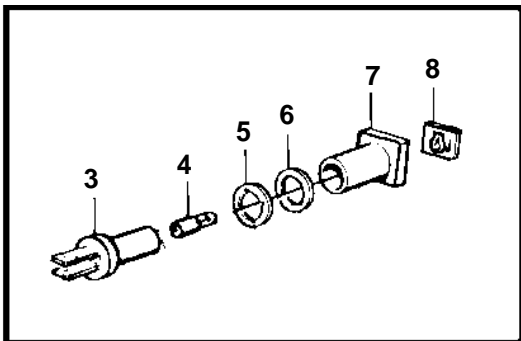


COMMON



COMMON

REF	PART NO.	QTY	DESCRIPTION	NOTES
1		1	Level guard	12V
2	866831	1	· Sender	
3	808175	1	· Bulb socket	
4	19923	1	· Bulb	12V
5	967583	1	· Retainer	
6	829714	1	· Seal	
7	838455	1	· Retainer	
8	866853	1	· Symbol strip	
9		X	Electrical materials	
		X	Cables and terminals	
10	866841	1	Dipstick	
11		1	· Screw	
12		1	· Hose	