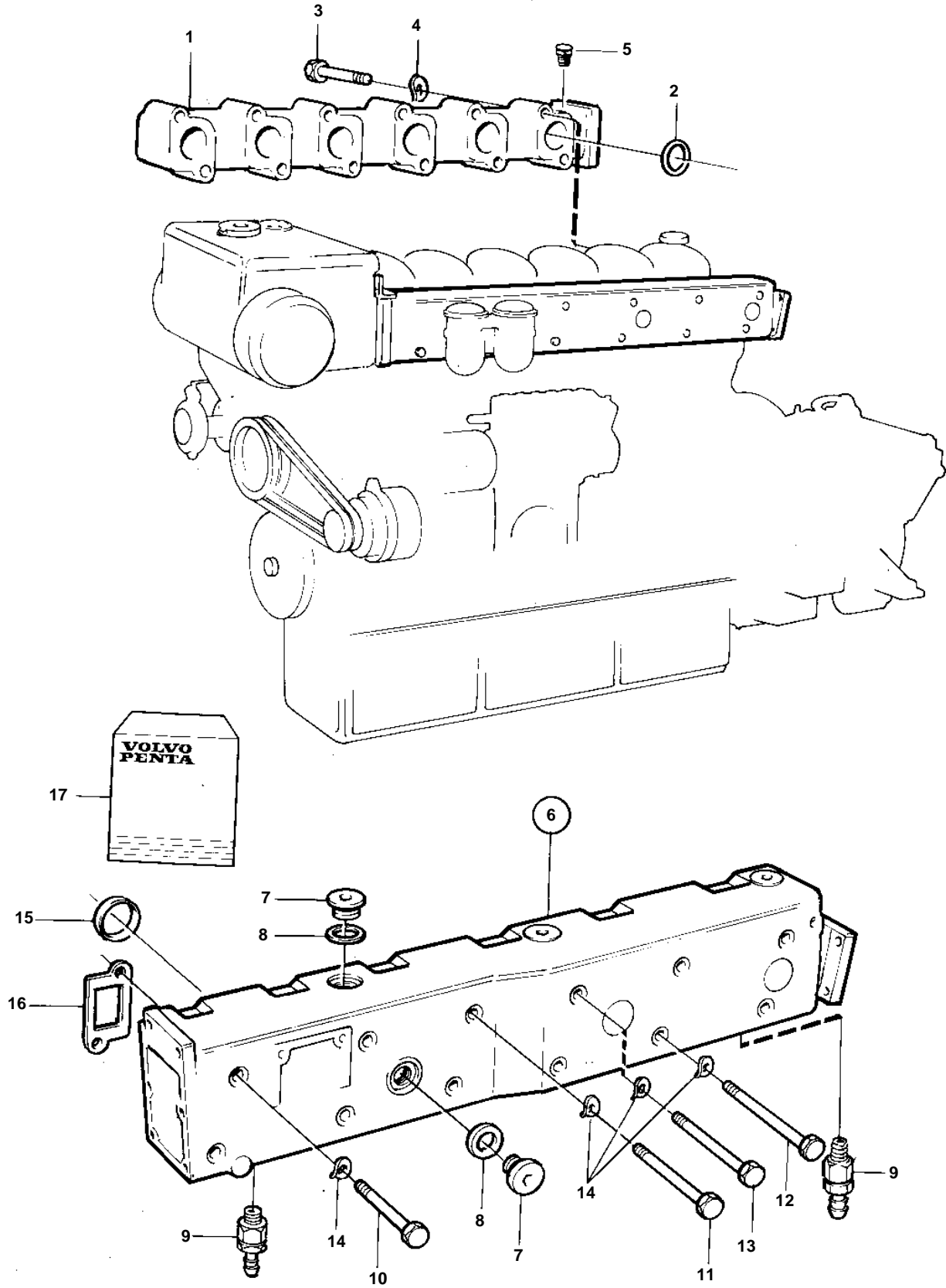


TMD121C



16244

TMD121C

REF	PART NO.	QTY	DESCRIPTION	NOTES
1	863260	1	Inlet pipe	
2	469830	6	Rubber ring	
3	955529	11	Screw	
	955533	1	Screw	Bracket oil cooler.
4	941907	11	Spring washer	
5	479979	1	Plug	(191026)
6	836841	1	Exhaust pipe	
7	467367	12	· Plug	
8	469328	12	· Gasket	
9	949918	2	Drain cock	
10	192498	4	Screw	L=133mm
11	192058	2	Screw	L=152mm
	959800	1	Screw	L=178mm. When jacketed fuel pipes are installed.
12	941252	5	Screw	L=171mm
13	102040	1	Screw	L=190mm
14	942336	12	Spring washer	
15	822575	6	Sealing ring	
16	470534	6	Gasket	
17	876192	1	Gasket kit	For induction manifold.
	876193	1	Gasket kit	For exhaust manifold.