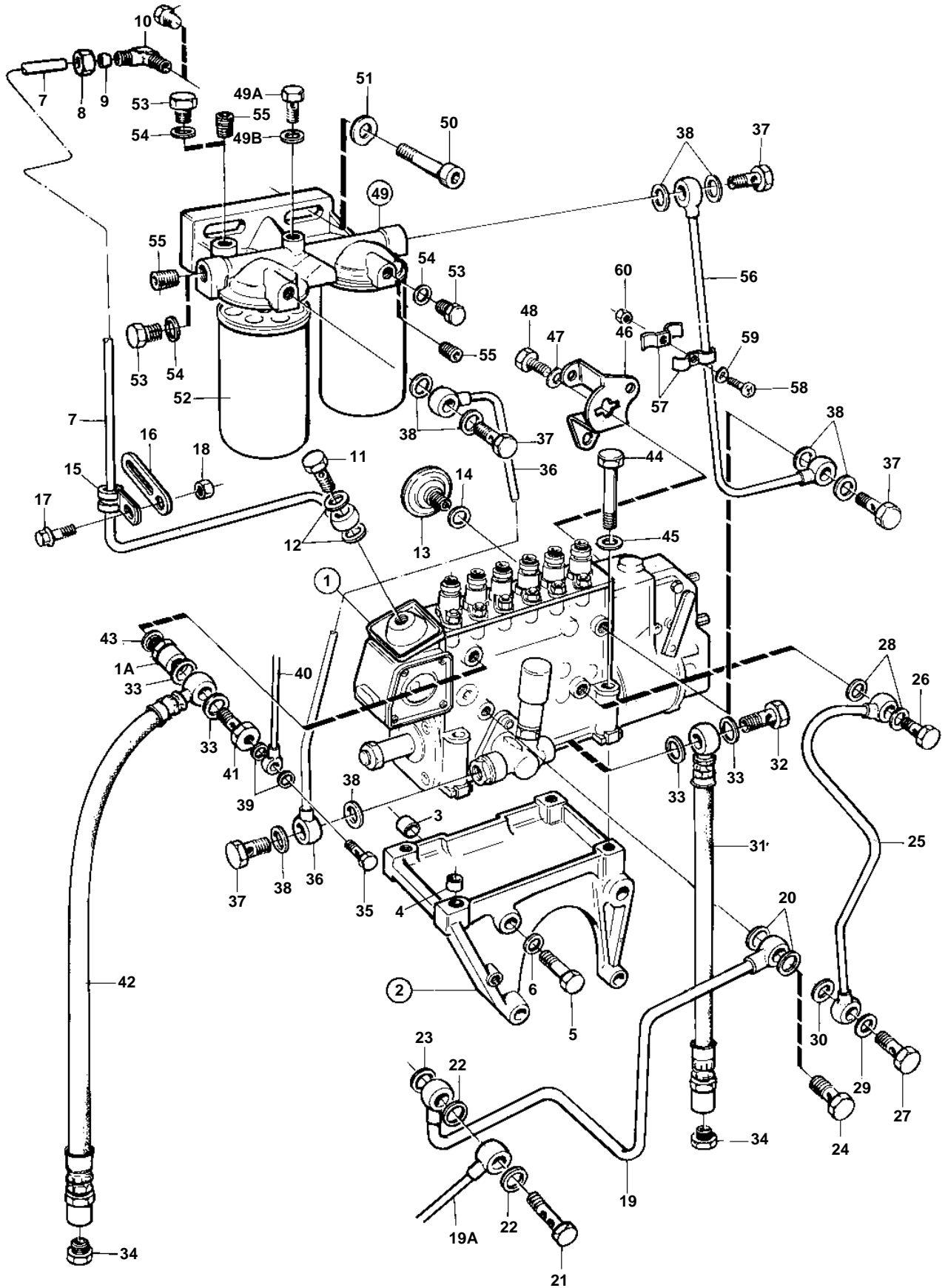


TAMD122C, TAMD122D



16223

TAMD122C, TAMD122D

REF	PART NO.	QTY	DESCRIPTION	SEE SEC.	NOTES
1	849624	1	Injection pump		
	3803766	1	Injection pump, exch		Exchange unit
				2547	
1A	35096	1	Overflow valve		
2	478647	1	Bracket		
3		2	· Guide sleeve		
4	417588	1	· Guide sleeve		
5	955566	4	Screw		
6	940280	4	Spring washer		
7	863160	1	Tube		
8	954357	1	Cap nut		
9	954365	1	Fitting		
10	954386	1	Fitting		
11	969299	1	Hollow screw		
12	947282	2	Gasket		
13	477173	1	Pressure equalizer		
14	969011	1	Gasket		
15	952624	2	Clamp		
16	965535	1	Bracket, water pump		
	965534	1	Bracket, induction manifold		
17	946544	2	Flange screw		
18	945407	2	Flange nut		
19	470514	1	Pressure oil line		
19A	866164	1	Pipe		Connected together with oil pressure pipe for power take off.
20	947281	2	Gasket		
21	837709	1	Hollow screw		Connected together with oil pressure pipe for power take off.
22	11994	1	Gasket		
23	18666	1	Gasket		
24	48634	1	Hollow screw		
25	422246	1	Pipe		
26	25167	1	Hollow screw		
27	942007	1	Hollow screw		
28	969011	2	Gasket		
29	11998	1	Gasket		
30	942703	1	Gasket		
31	845372	1	Fuel hose		L=300mm, REPL BY 866964
	866964	1	Fuel hose		L=710mm
32	25167	1	Hollow screw		
33	969011	4	Gasket		
34	22753	2	Nipple		
35	74033	1	Hollow screw		
36	863916	1	Fuel pipe		
37	25167	4	Hollow screw		
38	969011	8	Gasket		
39	947620	2	Gasket		
40	844543	1	Leak-off pipe		
41	16496	1	Hollow screw		
42	849076	1	Fuel hose		L=300mm, REPL BY 866964
	866964	1	Fuel hose		L=710mm
43	15304	1	Gasket		
44	940156	4	Screw		
45	190509	4	Washer		
46	848677	1	Lever		
47	941906	1	Spring washer		
48	955271	1	Screw		
49	471172	1	Filter housing		SN-XXXXXXXXXX/210795
					REPLACED BY 1676832
	1676832	1	Filter housing		SNXXXXXXXXXX/210796-
49A	471177	1	Screw		(243005)
49B	947620	1	Gasket		
50	940162	2	Screw		
51	942336	2	Spring washer		
52	3825133	2	Fuel filter		

