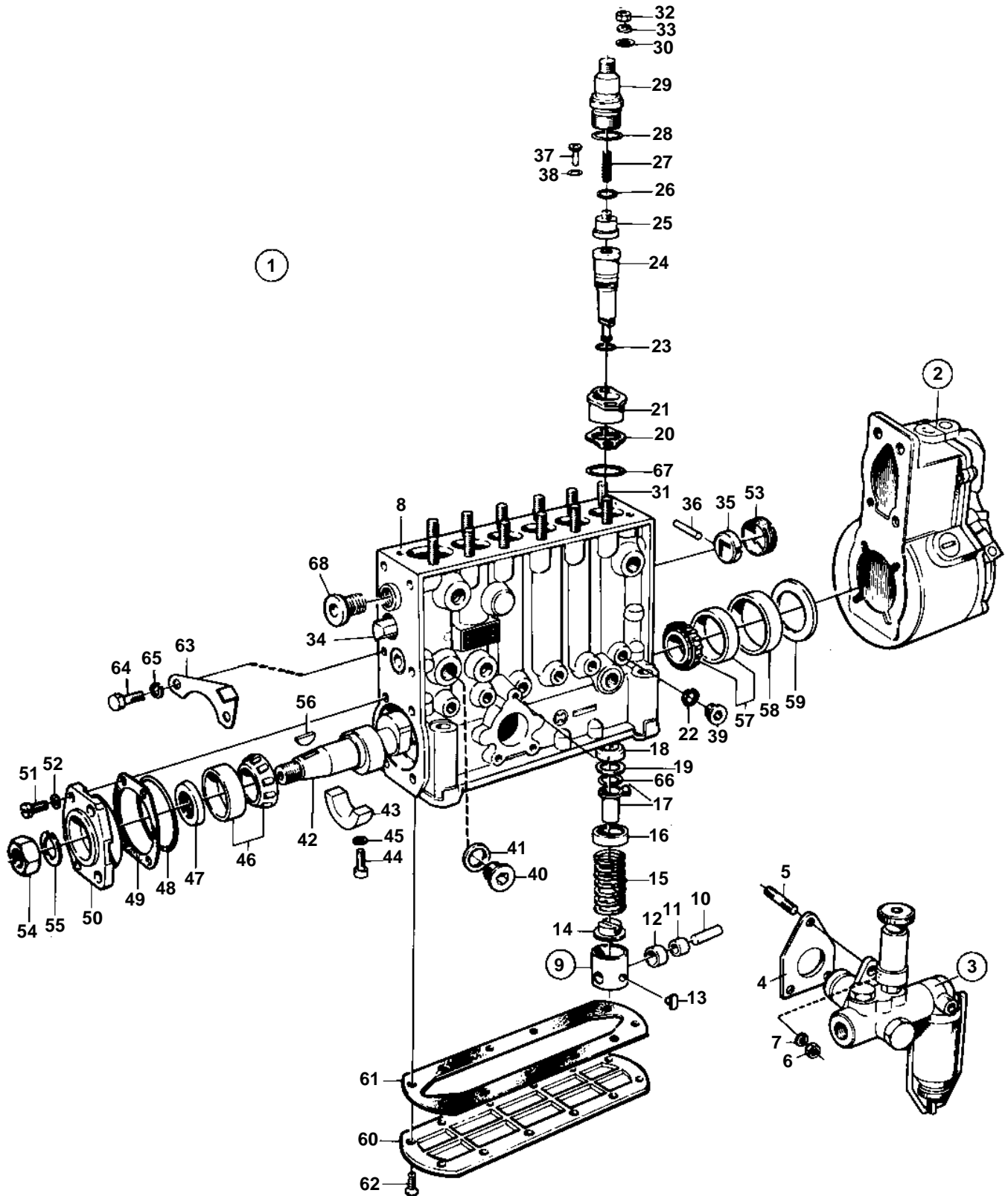


TMD121C



16241

TMD121C

REF	PART NO.	QTY	DESCRIPTION	SEE SEC.	NOTES
1		1	Injection pump		
2		1	· Governor		
				2548	
3	244391	1	· Feed pump		REPLACED BY 1699140
	1699140	1	· Feed pump		
				2173	
4	863370	1	· Gasket		
5		3	· Stud		
6	940197	3	· Nut		
7	941906	3	· Spring washer		
8		1	· Housing		
9		6	· Push rod		
10		6	· · Bolt		
11		6	· · Bushing		
12		6	· · Bearing		
13		6	· · Plate		
14	244685	6	· Spring disc	OP	
15		6	· Spring		
16	239984	6	· Spring disc	OP	
17		6	· Control sleeve		
18		6	· Cover		
19		6	· Washer		
20		X	· Shim		TH=0,40mm
		X	· Shim		TH = 0,50mm
		X	· Shim		TH = 0,70mm
		X	· Shim		TH = 0,80mm
		X	· Shim		TH = 1,00mm
		X	· Shim		TH = 1,10mm
		X	· Shim		TH = 1,25mm
		X	· Shim		TH = 1,30mm
		X	· Shim		TH = 1,40mm
		X	· Shim		TH = 1,50mm
		X	· Shim		TH = 1,60mm
		X	· Shim		TH = 1,70mm
		X	· Shim		TH = 1,80mm
		X	· Shim		TH = 1,90mm
		X	· Shim		TH=2,00mm
		X	· Shim		TH=2,10mm
21		6	· Sleeve		
22	18836	6	· Gasket		
23	240422	12	· O-ring		
24	244401	6	· Pump element		
25	240783	6	· Delivery valve		
26	239993	6	· Gasket		
27	240969	6	· Spring		
28	240001	6	· Gasket		
29	244636	6	· Delivery valve retai		
30		12	· Washer		
31		12	· Stud		
32	943927	12	· Nut		
33	941908	12	· Spring washer		
34		1	· Control rod		
35		2	· Guide sleeve		
36		1	· Lock pin		
37	240971	6	· Plug		
38	240972	X	· Washer		TH = 0,2mm
	240973	X	· Washer		TH = 0,5mm
39	180707	6	· Plug		
40		1	· Plug		
41	240017	1	· Gasket		
42		1	· Camshaft		
43	244406	1	· Bearing	SO	
44		2	· Screw		

TMD121C

REF	PART NO.	QTY	DESCRIPTION	SEE SEC.	NOTES
45	941906	2	· Spring washer		
46	240023	1	· Roller bearing		
47	864299	1	· Sealing ring		
48	243299	1	· O-ring		
49		X	· Shim		TH = 0,10mm
		X	· Shim		TH = 0,12mm
		X	· Shim		TH = 0,14mm
		X	· Shim		TH = 0,16mm
		X	· Shim		TH = 0,18mm
		X	· Shim		TH = 0,30mm
		X	· Shim		TH = 0,50mm
50		1	· Cover		
51		4	· Screw		
52	941906	4	· Spring washer		
53		1	· Bushing		
54	955806	1	· Nut		
55	955927	1	· Spring washer		
56	35168	1	· Key		
57	240023	1	· Roller bearing		
58		1	· Ring		
59		X	· Shim		TH = 1.2mm
		X	· Shim		TH = 1.5mm
		X	· Shim		TH = 1.8mm
		X	· Shim		TH=2,0mm
60		1	· Cover		
61	1698192	1	· Gasket		
62		12	· Screw		
63		1	· Setting indicator		
64	956092	2	· Screw		
		1	· Screw		
65	941906	2	· Spring washer		
	947620	1	· Gasket		
66	239990	6	· Lock ring		
67		6	· Ring		
68		1	· Plug		