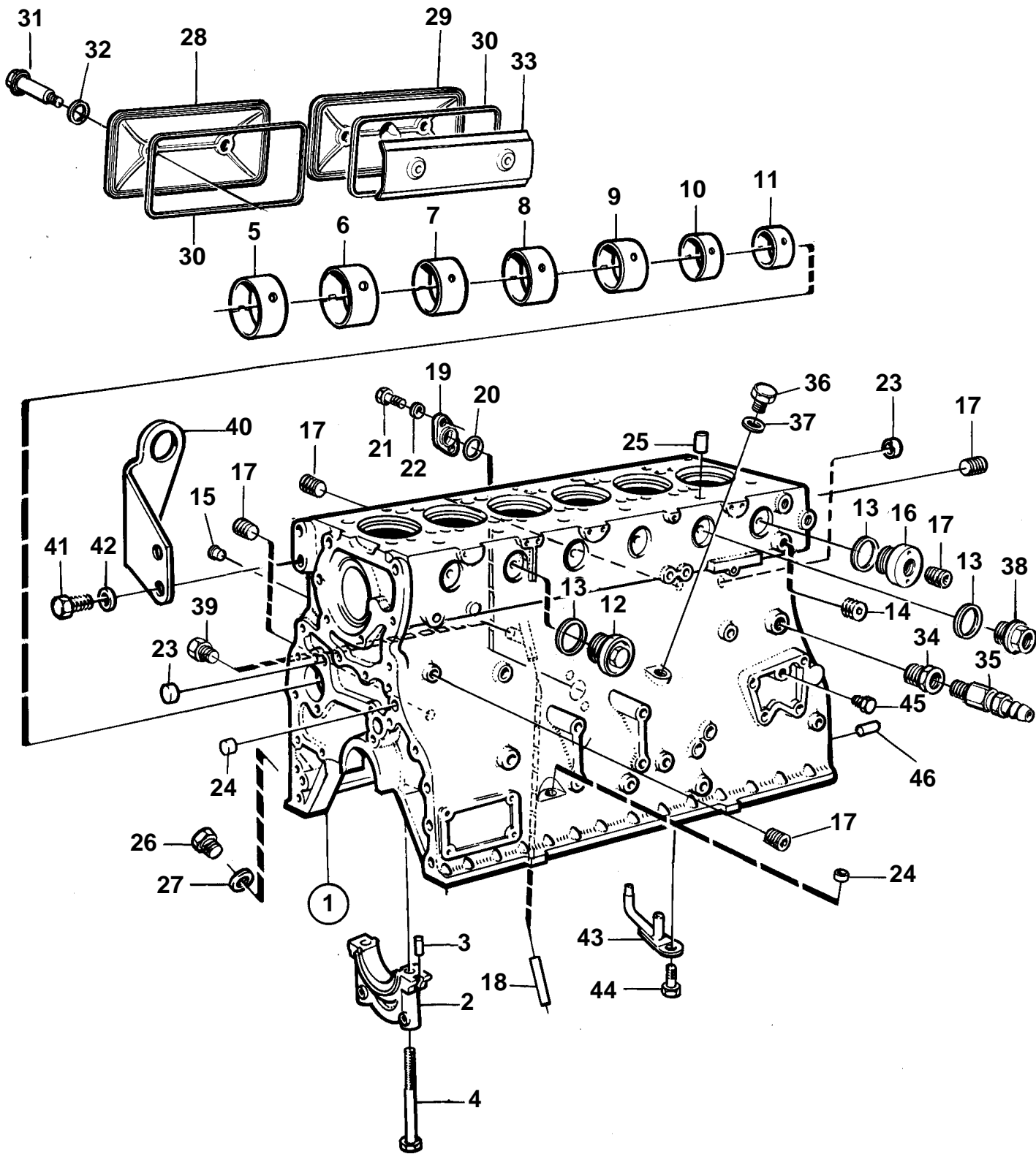


TMD121C, TAMD121C, TAMD121D TAMD122C, TAMD122D



TMD121C, TAMD121C, TAMD121D TAMD122C, TAMD122D

REF	PART NO.	QTY	DESCRIPTION	SEE SEC.	NOTES
1	478990	1	Cylinder block		(470130). Spare part design.
2		7	· Bearing cap		
3	422426	1	· Pin		
4	423444	14	· Screw		
5	422076	1	· Bushing		
6	422077	1	· Bushing		
7	422078	1	· Bushing		
8	422079	1	· Bushing		
9	422080	1	· Bushing		
10	422081	1	· Bushing		
11	422082	1	· Bushing		
12	467367	5	· Plug		
13	469328	6	· Gasket		
14	952075	1	· Plug		
15	422369	2	· Plug		
16	821335	1	· Plug		
17	479977	5	· Plug		
18	468563	1	· Pipe		
19		1	· Cover		For cylinder block without overflow valve for piston cooling.
20	925060	1	· O-ring		
21	955524	2	· Screw		
22	941907	2	· Spring washer		
23	955083	3	· Cap plug		
24	955082	2	· Cap plug		
25	950543	12	· Pin		
26	948187	1	Plug		
27	18818	1	Gasket		
28	423120	2	Inspection cover		
29	423121	1	Inspection cover		
30	469823	3	Gasket		
31	422541	6	Screw		
32	471856	6	Sealing ring		
33	422542	1	Splash plate		
34	479954	1	Nipple		
35	949918	1	Drain cock		
36		1	Plug		
37	969011	1	Gasket		
38	823369	1	Plug		
39	479979	4	Plug		
40		1	Lift iron		
41	955561	2	Screw		
42	940280	2	Spring washer		
43		6	Nozzlepiston cooling	2051	
44		6	Screw	2051	
45	16318	1	Plug		
46	191171	2	Pin		