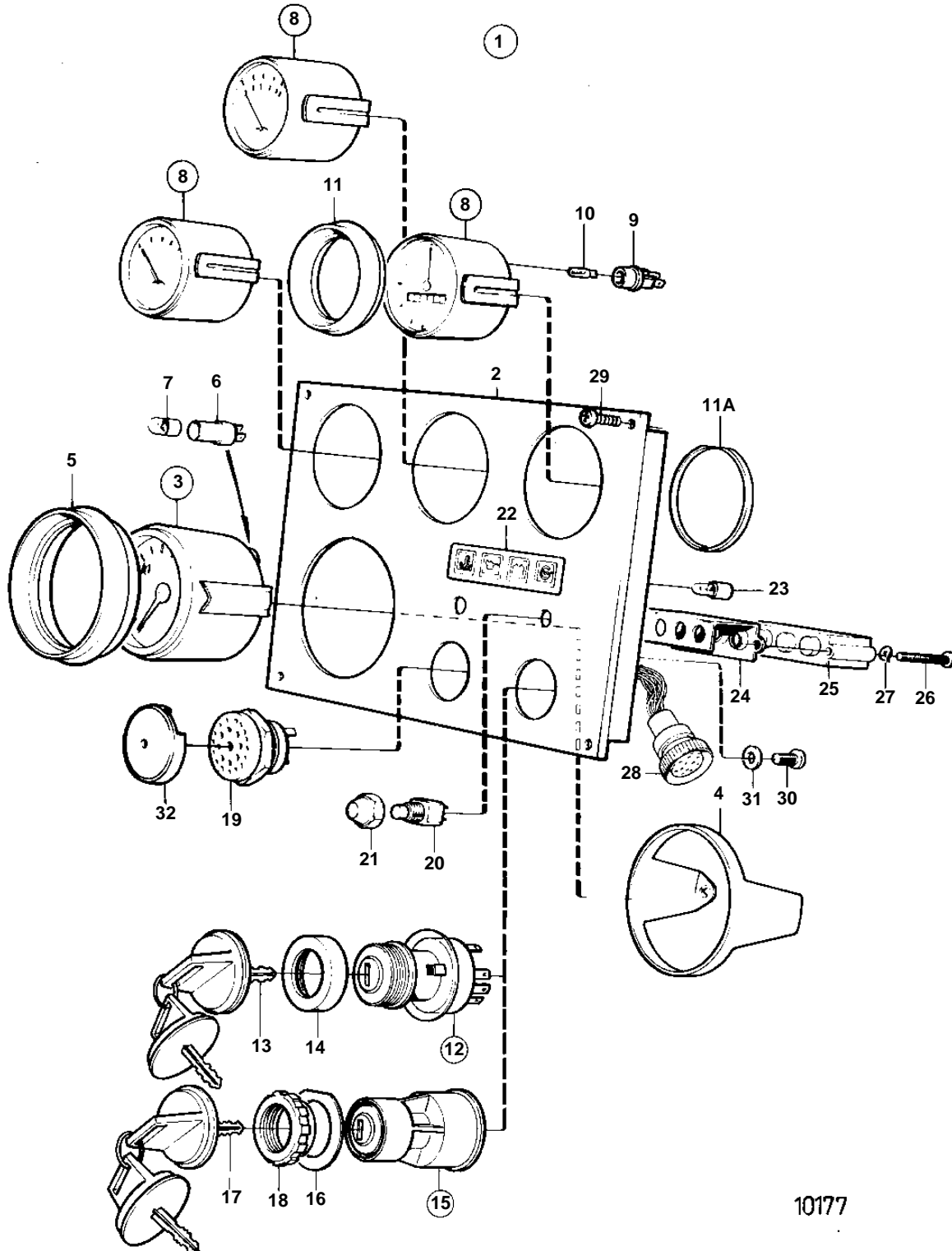


TMD121C, TAMD121C, TAMD121D, TAMD122C, TAMD122D



TMD121C, TAMD121C, TAMD121D, TAMD122C, TAMD122D

REF	PART NO.	QTY	DESCRIPTION	SEE SEC.	NOTES
1	862579	1	Instrument panel		REPLACED BY 864046. White coloured stripe.
2	858647	1	• Instrument panel		
3	849526	1	• Tachometer		REPL BY 864021
	864021	1	• Tachometer		
4	849523	1	• • Attaching ring		
5	858644	1	• Front ring		
6	808175	1	• Bulb socket		Fits bulb with base BA 7S.
7	182059	1	• Bulb		24V, 3W BA7S
8	828613	1	• Thermometer		
	828619	1	• Oil pressure gauge		
	828630	1	• Voltmeter		
9	808175	3	• • Bulb socket		
11	858643	3	• Front ring		
11A	828803	3	• Ring		
12	828778	1	• Starter switch		REPLACED BY 864277
13	828676	2	• • Key	SO	State key code when ordering.
14	1581184	1	• Round nut		
15	864277	1	• Starter switch		
16			• Marking label		
17	859953		• Key	SO	State key code when ordering.
			• Bulletin 49-30	49-30-EN	Key P/N 859953
18	859955		• Plastic nut		
19	828587	1	• Buzzer		
20	828584	1	• Switch		ALARM TEST
	828585	1	• Switch		INSTR. LIGHT
21	828586	2	• Nut		
22	858645	1	• Symbol strip		
23	828818	4	• Bulb		
24	828784	1	• Reflector		
25	828783	1	• Electronic unit		
26	941615	2	• Screw		
27	941904	2	• Spring washer		
28	828646	1	• Cable trunk		
29	828647	4	• Screw		
30	949947	1	• Screw		
31	941904	1	• Spring washer		
32	858795	1	• Protecting casing		