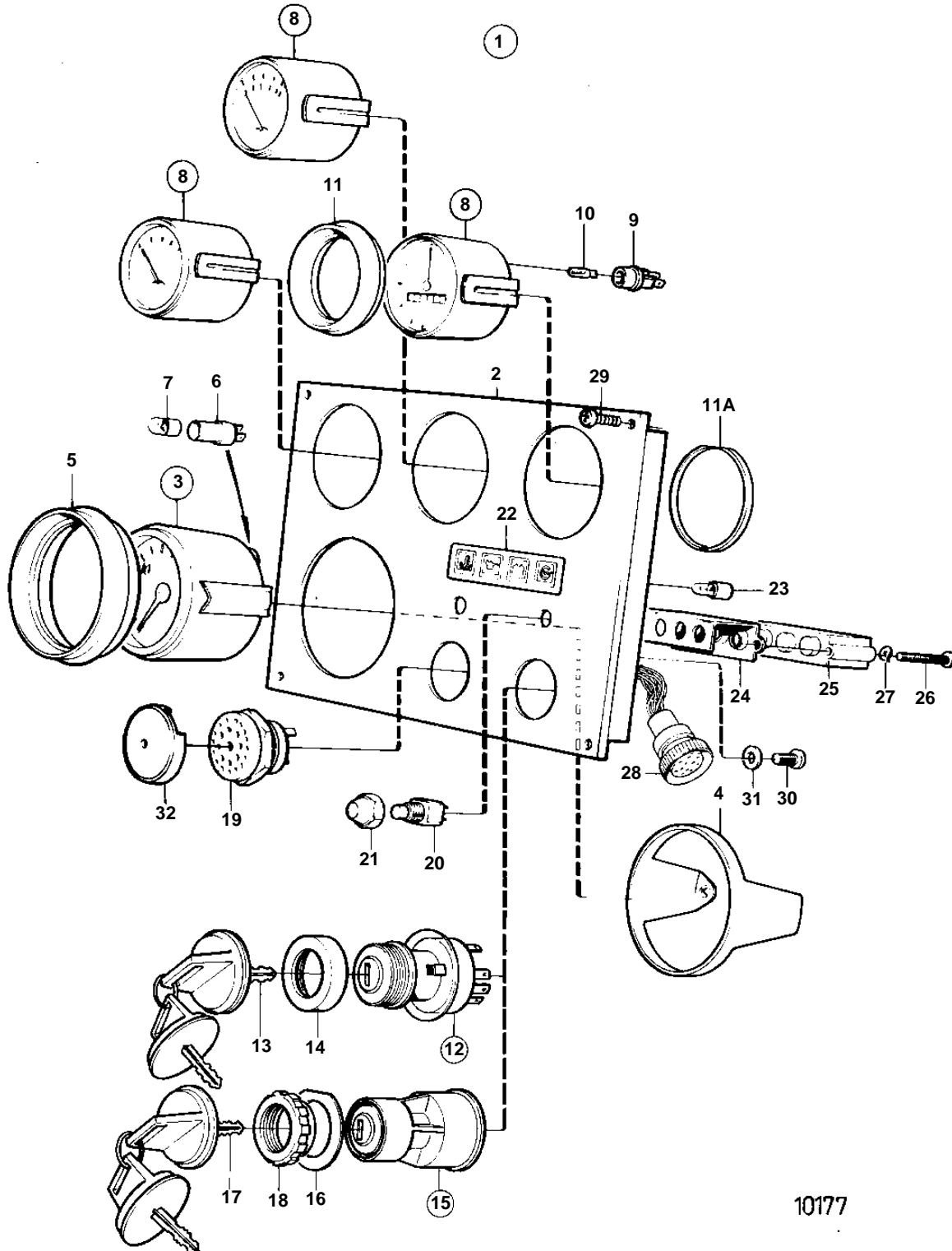


TMD121C, TAMD121C, TAMD121D, TAMD122C, TAMD122D



10177

TMD121C, TAMD121C, TAMD121D, TAMD122C, TAMD122D

REF	PART NO.	QTY	DESCRIPTION	NOTES
1	849935	1	Instrument panel	REPLACED BY 862579. White coloured stripe.
2	858647	1	• Instrument panel	
3	828600	1	• Tachometer	
4	828558	1	• • Attaching ring	
5	858644	1	• Front ring	
6	808175	1	• Bulb socket	Fits bulb with base BA 7S.
7	182059	1	• Bulb	24V, 3W BA7S
8	828613	1	• Thermometer	
	828619	1	• Oil pressure gauge	
	828630	1	• Voltmeter	
9	808175	3	• • Bulb socket	
10	182059	3	• • Bulb	
11	858643	3	• Front ring	
11A	828803	3	• Ring	
12	828778	1	• Starter switch	REPLACED BY 864277
13	828676	2	• • Key	SO State key code when ordering.
14	1581184	1	• Round nut	
19	828587	1	• Buzzer	
20	828584	1	• Switch	ALARM TEST
	828585	1	• Switch	INSTR. LIGHT
21	828586	2	• Nut	
22	858645	1	• Symbol strip	
23	828818	4	• Bulb	
24	828784	1	• Reflector	
25	828783	1	• Electronic unit	
26	941615	2	• Screw	
27	941904	2	• Spring washer	
28	828646	1	• Cable trunk	
29	828647	4	• Screw	
30	949947	1	• Screw	
31	941904	1	• Spring washer	
32	858795	1	• Protecting casing	