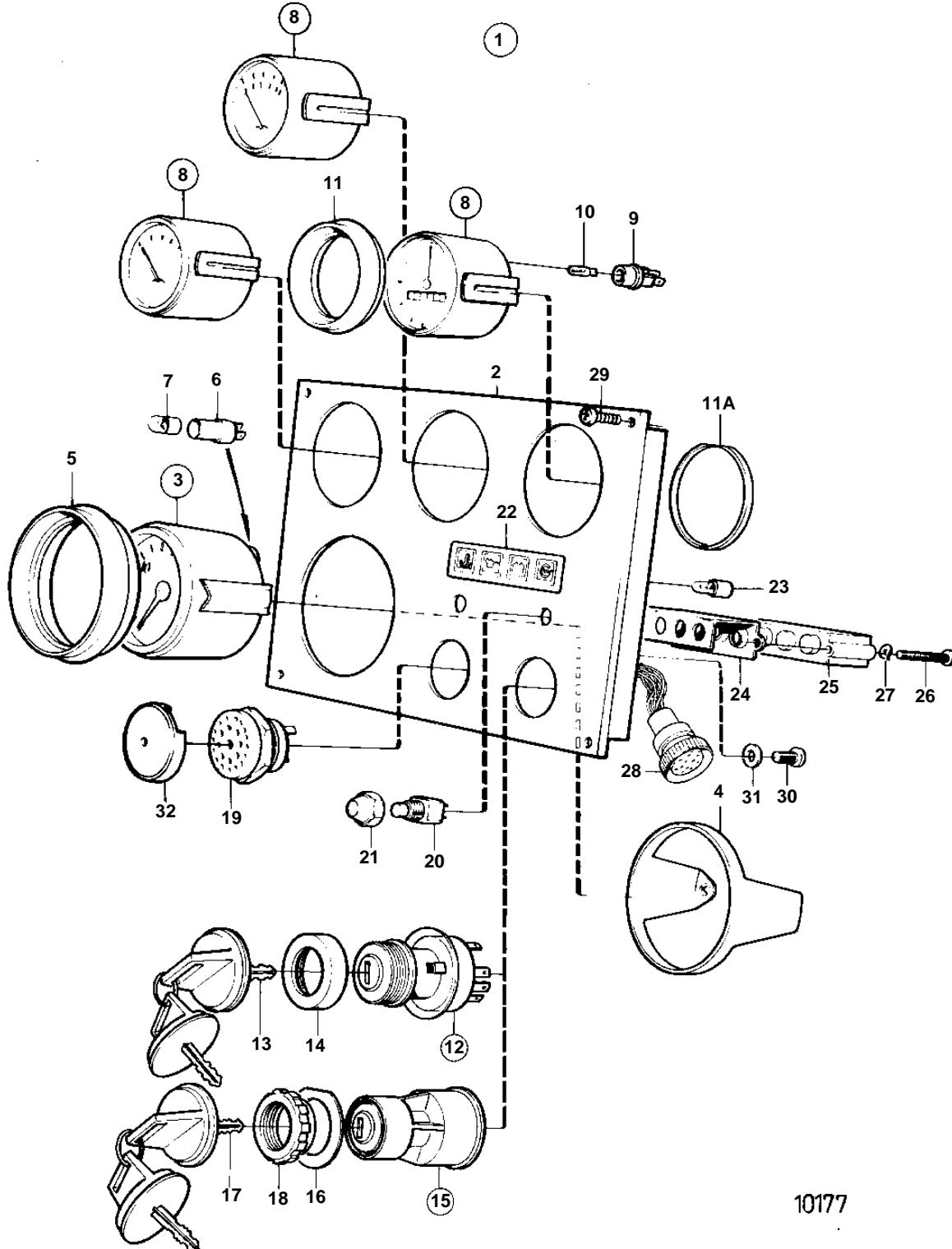


TMD121C, TAMD121C, TAMD121D, TAMD122C, TAMD122D



10177

TMD121C, TAMD121C, TAMD121D, TAMD122C, TAMD122D

REF	PART NO.	QTY	DESCRIPTION	NOTES
1		1	Instrument panel	REPL BY 847978. Gold coloured stripe.
	847978	1	Instrument panel	REPLACED BY 849935. Gold coloured stripe.
2	828588	1	· Instrument panel	Gold coloured stripe.
3	828600	1	· Tachometer	
4	828558	1	· · Attaching ring	
5	828559	1	· Front ring	
6	808175	1	· Bulb socket	Fits bulb with base BA 7S.
7	182059	1	· Bulb	24V, 3W BA7S
8	828613	1	· Thermometer	
	828619	1	· Oil pressure gauge	
	828630	1	· Voltmeter	
9	808175	3	· · Bulb socket	
10	182059	3	· · Bulb	
11	828542	3	· Front ring	
11A	828803	3	· Ring	
12	828582	1	· Starter switch	FOR 846804 REPL BY 828778
	828778	1	· Starter switch	REPLACED BY 864277
13	828676	2	· · Key	SO State key code when ordering.
14	1581184	1	· Round nut	
19	828587	1	· Buzzer	
20	828584	1	· Switch	ALARM TEST
	828585	1	· Switch	INSTR. LIGHT
21	828586	2	· Nut	
22	828560	1	· Sign	
23	966327	4	· Lamp	
24	828784	1	· Reflector	
25	828605	1	· Circuit board	
26	941610	2	· Screw	
27	941904	2	· Spring washer	
28	828646	1	· Cable trunk	
29	828647	4	· Screw	
30	949947	1	· Screw	
31	941904	1	· Spring washer	
32	858795	1	· Protecting casing	