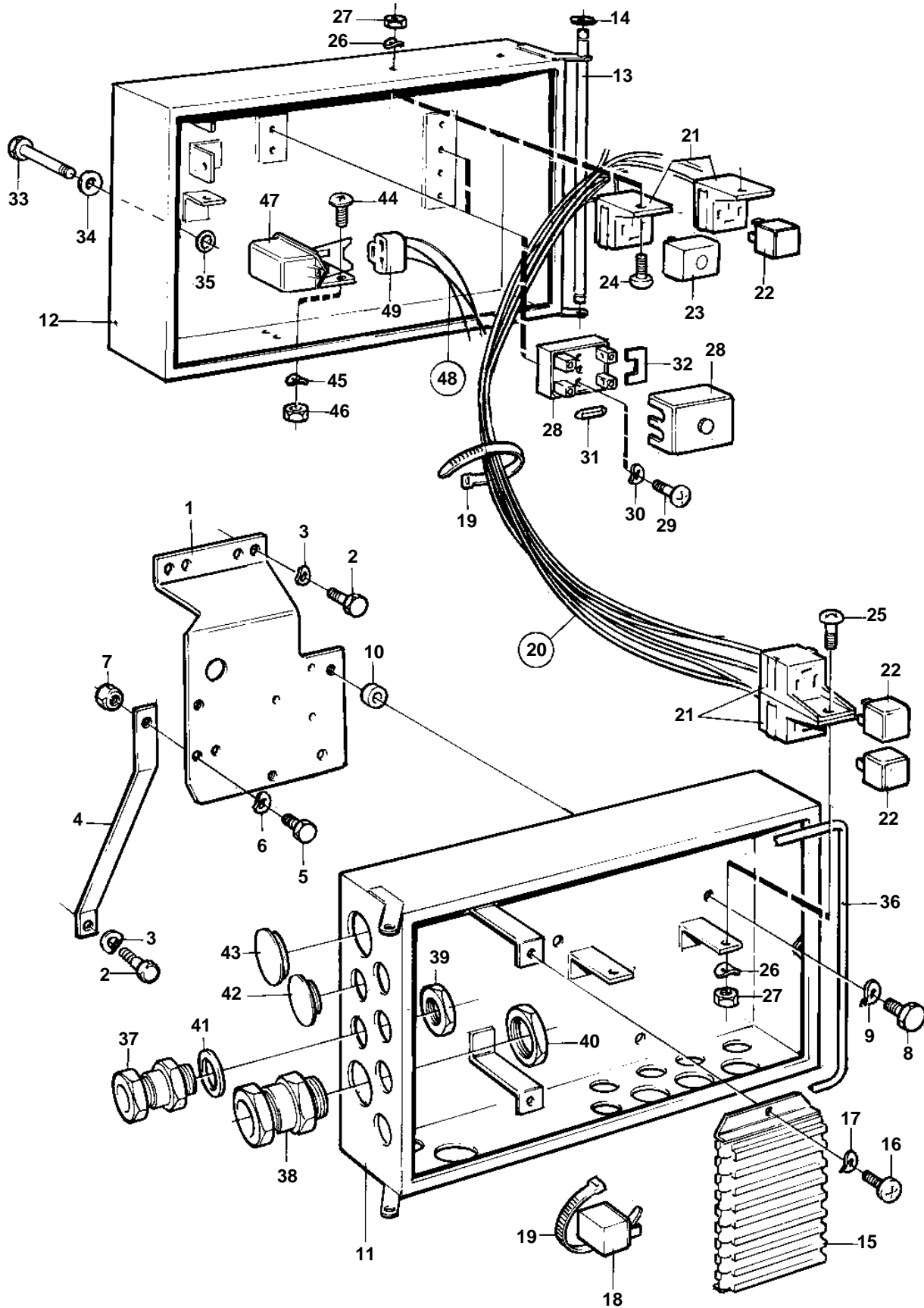


TMD121C, TAMD121C, TAMD121D



16395

TMD121C, TAMD121C, TAMD121D

| REF | PART NO. | QTY | DESCRIPTION | NOTES |
|-----|----------|-----|----------------------|-----------|
| 1 | 846819 | 1 | Bracket | |
| 2 | 940114 | 3 | Screw | |
| 3 | 942336 | 3 | Spring washer | |
| 4 | 846911 | 1 | Bracket | |
| 5 | 955524 | 1 | Screw | |
| 6 | 941907 | 1 | Spring washer | |
| 7 | 955826 | 1 | Nut | |
| 8 | 955297 | 3 | Screw | |
| 9 | 941907 | 3 | Spring washer | |
| 10 | 845589 | 3 | Spacer sleeve | |
| 11 | 843124 | 1 | Electrical distribut | SO |
| 12 | 843126 | 1 | Cover | |
| 13 | 837838 | 1 | Shaft | |
| 14 | 951667 | 2 | Lock ring | |
| 15 | 843095 | 1 | Terminal block | |
| 16 | 956075 | 2 | Screw | |
| 17 | 941905 | 2 | Spring washer | |
| 18 | 837722 | 1 | Resistor | |
| 19 | 948211 | X | Strip clamp | |
| 20 | | 1 | Cable trunk | |
| 21 | 977184 | 7 | · Tab housing | (946556) |
| 22 | 8153600 | 6 | Relay | (1504951) |
| 23 | 842987 | 1 | Voltage sensor | |
| 24 | 956075 | 2 | Screw | |
| 25 | 956076 | 2 | Screw | |
| 26 | 941905 | 4 | Spring washer | |
| 27 | 955780 | 4 | Nut | |
| 28 | 88578 | 4 | Fuse box | |
| 29 | 956060 | 8 | Screw | |
| 30 | 941904 | 8 | Spring washer | |
| 31 | 942545 | 4 | Fuse | |
| | 11433 | 2 | Fuse | |
| | 943905 | 2 | Fuse | |
| 32 | 842390 | 2 | Bridge connector | |
| 33 | 955261 | 1 | Screw | |
| 34 | 960138 | 1 | Washer | |
| 35 | 955978 | 1 | Rubber ring | |
| 36 | | X | Sealing strip | |
| 37 | 822327 | X | Cable union | |
| | 881192 | X | Cable union | |
| 38 | 881193 | X | Cable union | |
| 39 | 880243 | X | Nut | |
| 40 | 880755 | X | Nut | OP |
| 41 | 957185 | X | Gasket | |
| 42 | 94081 | X | Rubber plug | OP |
| 43 | 662620 | X | Rubber button | |
| 44 | 956075 | 2 | Screw | |
| 45 | 941905 | 2 | Spring washer | |
| 46 | 955780 | 2 | Nut | |
| 47 | | 1 | Charge regulator | |
| 48 | 845976 | 1 | Cable trunk | |
| 49 | | 1 | · Housing | |