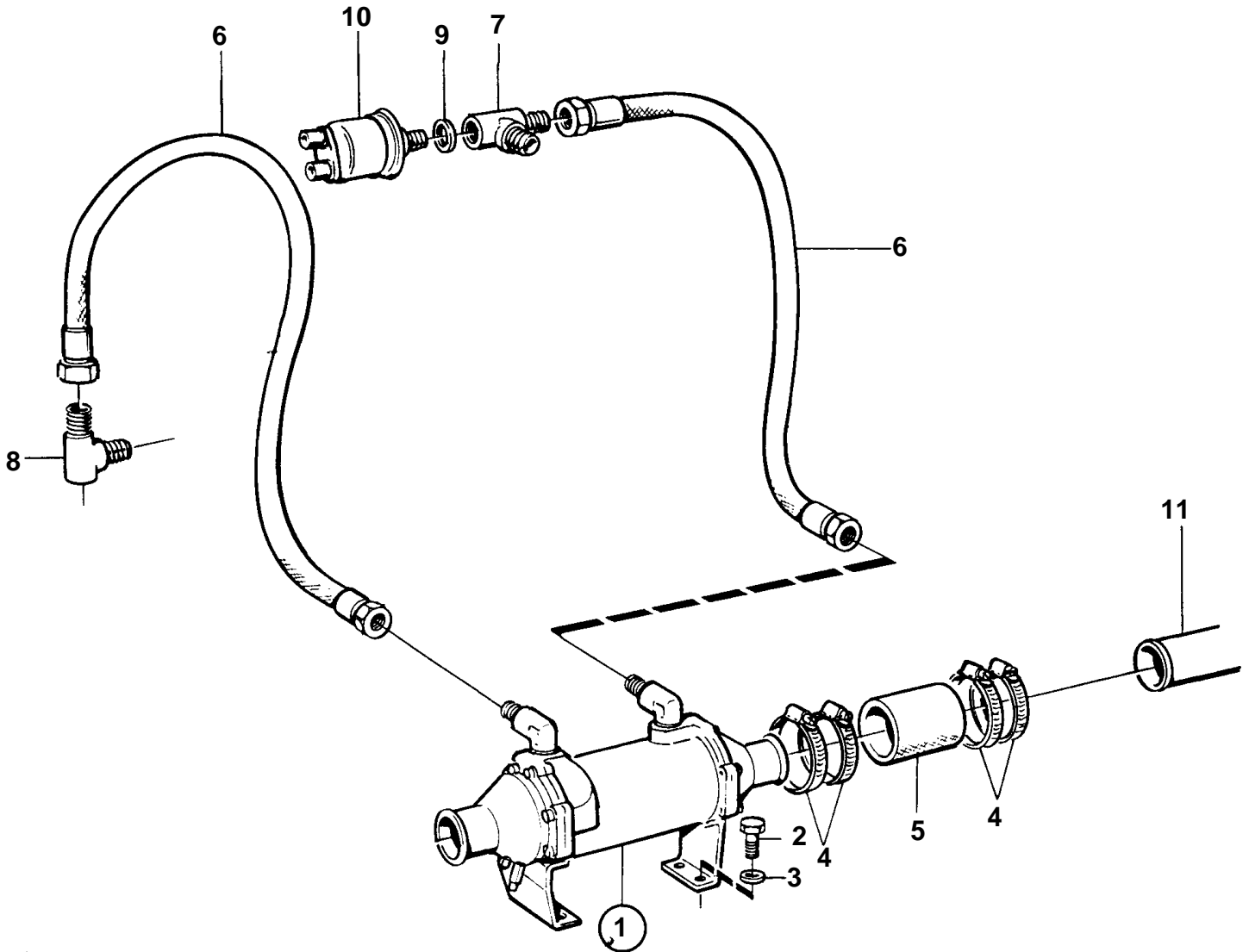


TAMD122C, TAMD122D



16106

TAMD122C, TAMD122D

REF	PART NO.	QTY	DESCRIPTION	SEE SEC.	NOTES
1	3825934	1	Oil cooler		CLASSIFIED
				1318	
2	955534	4	Screw		
3	942336	4	Spring washer		
4	961673	4	Clamp		
5	952980	X	Rubber hose		L=110mm
6	848351	2	Hose		
7	837063	1	Elbow union		
8	842717	1	Nipple		
9	947624	1	Gasket		
10		1	Oil pressure sensor		SE GROUP 30
11		1	Tubeheat exchanger		