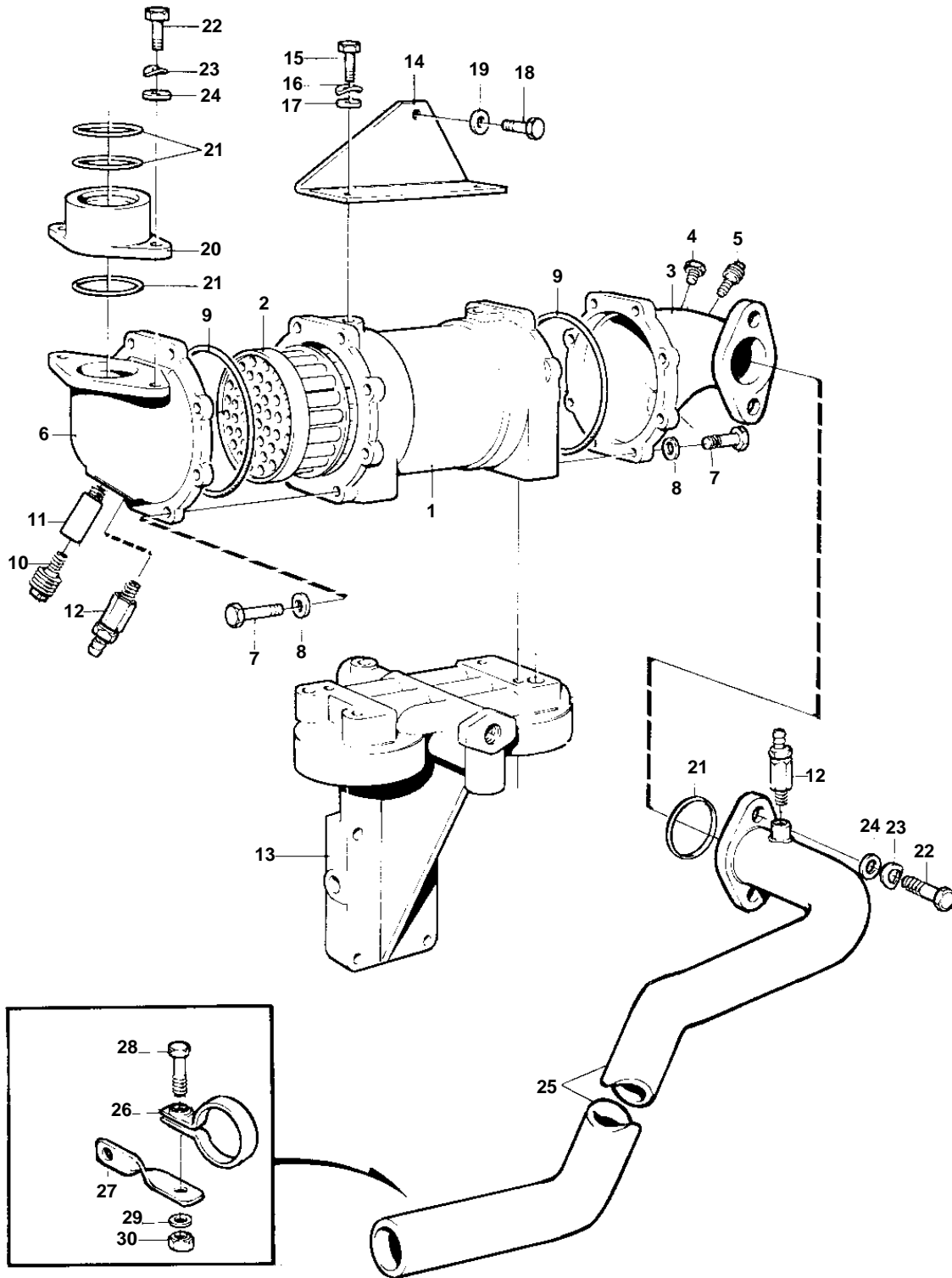


TAMD121C, TAMD121D



11633

TAMD121C, TAMD121D

| REF | PART NO. | QTY | DESCRIPTION | SEE SEC. | NOTES |
|-----|----------|-----|--------------------|----------|---------------------------------------|
| 1 | 849410 | 1 | Housing | | |
| 2 | 864213 | 1 | Insert | | |
| 3 | 843567 | 1 | End cover | | |
| 4 | 861551 | 1 | Plug | | (192134) |
| 5 | 838928 | 1 | Plug | | |
| 6 | 843567 | 1 | End cover | | |
| 7 | 940094 | 16 | Screw | | |
| 8 | 941906 | 16 | Spring washer | | |
| 9 | 925027 | 2 | O-ring | | |
| 10 | 838928 | 2 | Plug | | |
| 11 | 838929 | 2 | Zinc anod | | |
| 12 | 949918 | 1 | Drain cock | | |
| 13 | | | Oil filter housing | | |
| | | | | 2508 | |
| 14 | 843570 | 1 | Support | | |
| 15 | 940100 | 2 | Screw | | |
| 16 | 941906 | 2 | Spring washer | | |
| 17 | 955893 | 2 | Washer | | |
| 18 | 955533 | 1 | Screw | | |
| 19 | 941907 | 1 | Spring washer | | |
| 20 | 843565 | 1 | Pipe connection | | |
| 21 | 925092 | 3 | O-ring | | |
| 22 | 955525 | 4 | Screw | | |
| 23 | 941907 | 4 | Spring washer | | |
| 24 | 191172 | 4 | Washer | | |
| 25 | 847546 | 1 | Pipe | SO | Oil cooler - oil cooler, reverse gear |
| 26 | 32447 | 1 | Clamp | | |
| 27 | 847350 | 1 | Bracket | | |
| 28 | 955535 | 1 | Screw | | |
| 29 | 942336 | 2 | Spring washer | | |
| 30 | 955827 | 1 | Nut | | |