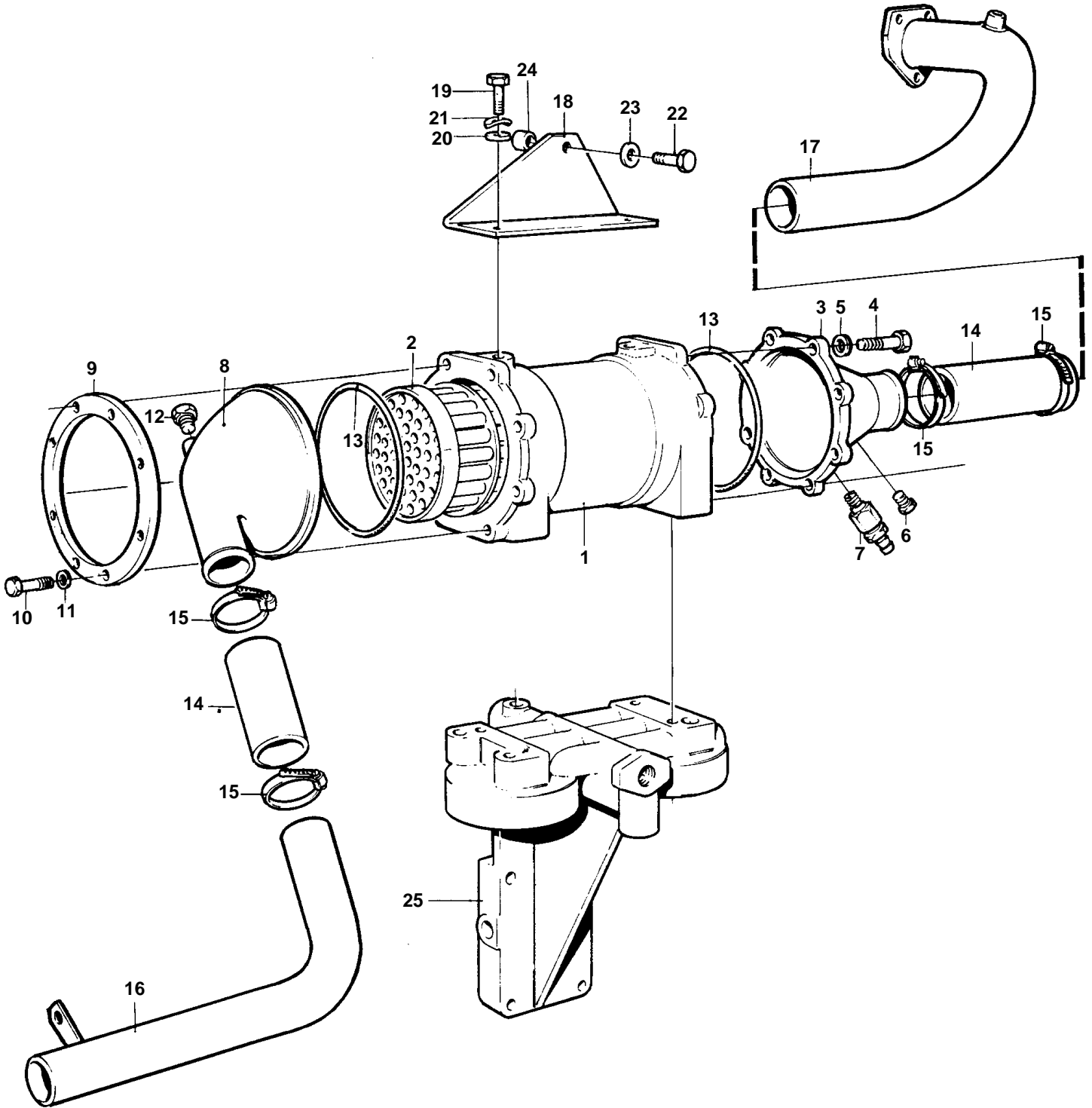


TMD121C



11629

TMD121C

REF	PART NO.	QTY	DESCRIPTION		NOTES
1	849410	1	Housing		
2	864213	1	Insert		
3	836888	1	End cover	SO	
4	940094	8	Screw		
5	941906	8	Spring washer		
6	838928	1	Plug		
7	949918	1	Drain cock		
8	823803	1	End plate		
9	823802	1	Clamping ring		
10	955514	8	Screw		
11	941906	8	Spring washer		
12	180759	1	Plug		
13	925027	2	O-ring		
14	952980	X	Rubber hose		L=110mm
15	961673	4	Clamp		
16		1	Tube		Oil cooler - oil cooler, reverse gear
17	847560	1	Tube		Circulation pump - oil cooler.
18	843570	1	Support		
19	955513	2	Screw		
20	941906	2	Spring washer		
21	955893	2	Washer		
22	955533	1	Screw		
23	941907	1	Spring washer		
24	821540	1	Spacer sleeve		
25		1	Oil filter housing		