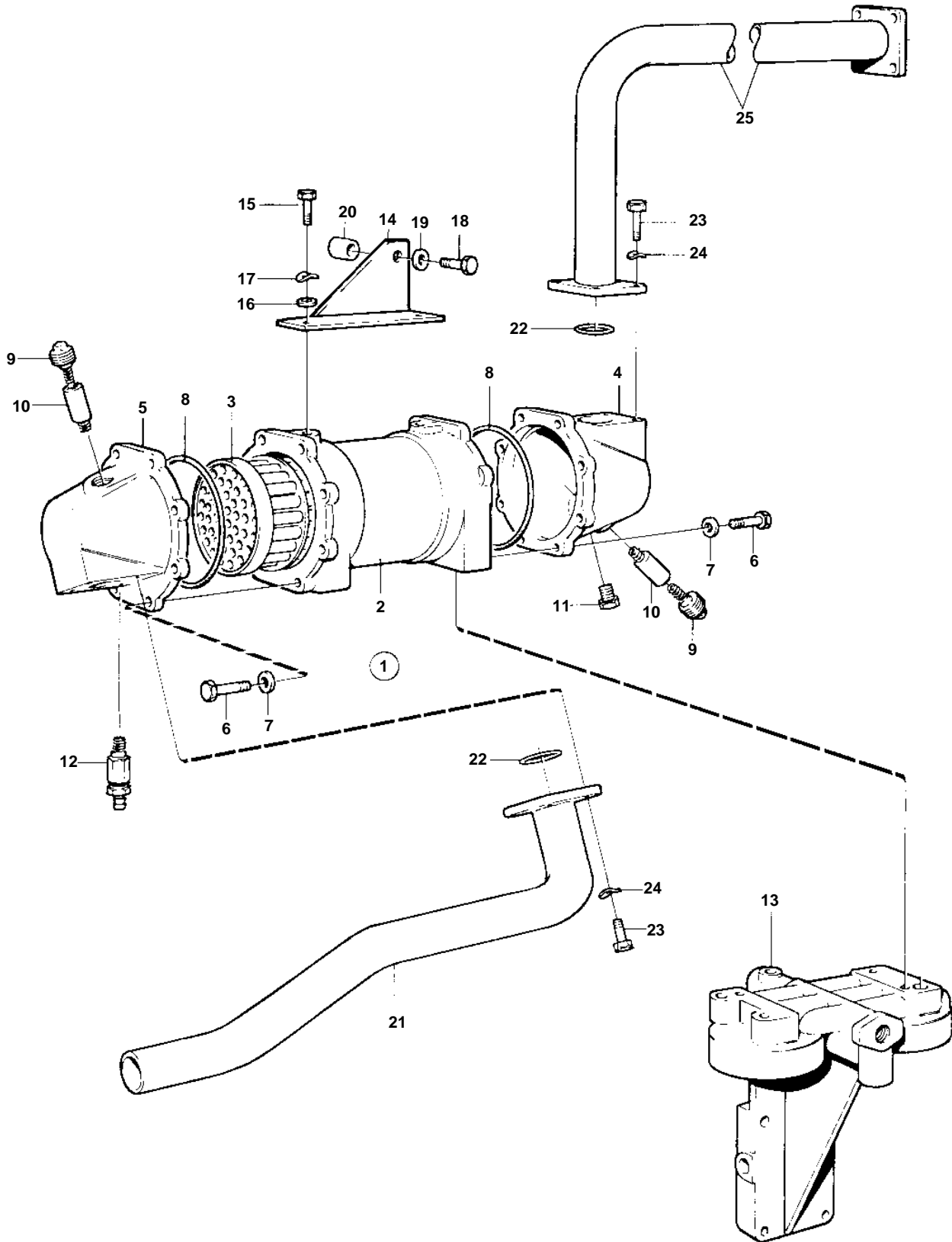


TMD121C



TMD121C

REF	PART NO.	QTY	DESCRIPTION	SEE SEC.	NOTES
1		1	Oil cooler		
2	849410	1	· Housing		
3	864213	1	· Insert		
4	846235	1	· End cover		
5	846235	1	· End cover		
6	940094	16	· Screw		
7	941906	16	· Spring washer		
8	925027	2	· O-ring		
9	838928	2	· Plug		
10	838929	2	· Zinc anod		
11	861551	3	Plug		(192134)
12	949918	1	Drain cock		
13			Oil filter housing		
				2502	
14	843570	1	Support		
15	955513	2	Screw		
16	941906	2	Spring washer		
17	955893	2	Washer		
18	955533	1	Screw		
19	941907	1	Spring washer		
20	821540	1	Spacer sleeve		
21	846330	1	Tube		Oil cooler - oil cooler, reverse gear
22	864491	2	Gasket		
23	956569	8	Screw		
24	941907	8	Spring washer		
25	846237	1	Tube		Oil cooler - heat exchanger.