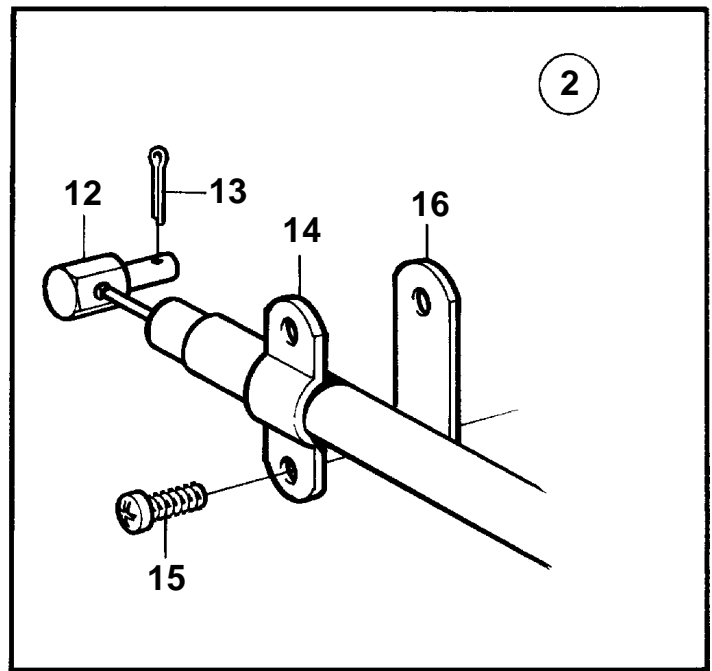
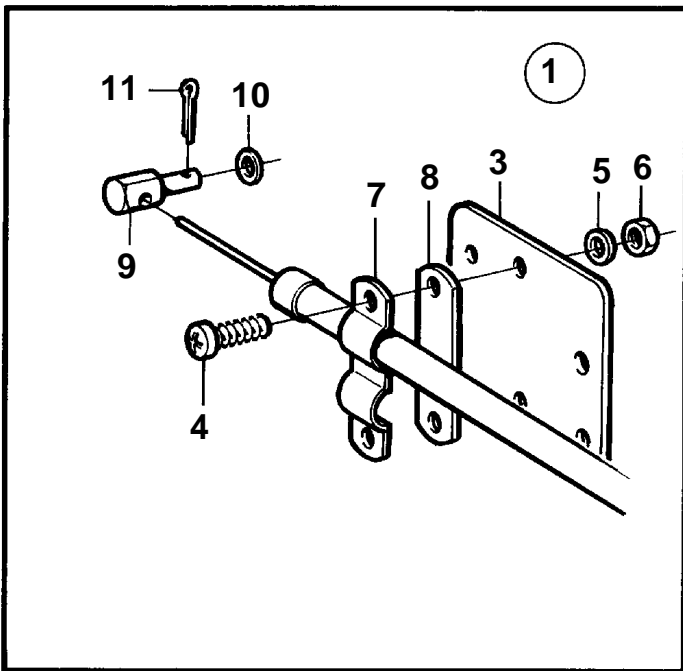
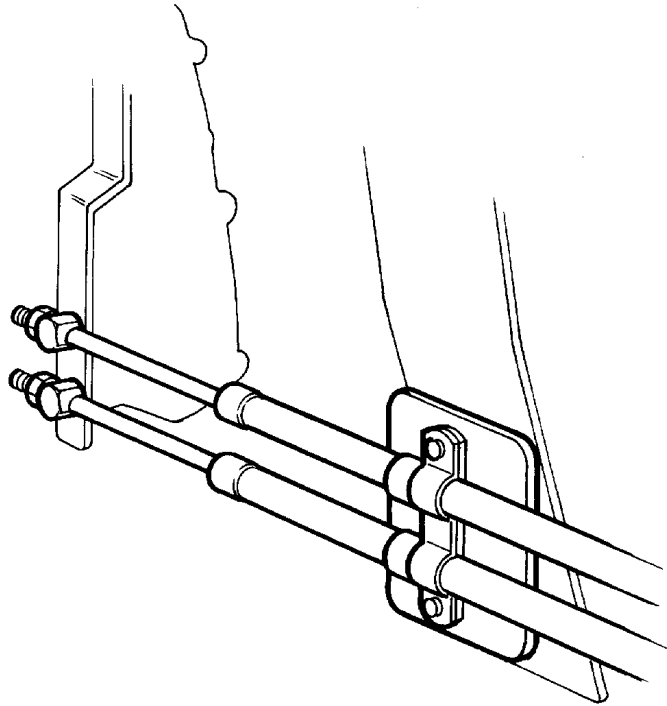


COMMON



8745

COMMON

| REF | PART NO. | QTY | DESCRIPTION | NOTES |
|-----|----------|-----|--------------------|-----------------------------|
| 1 | 843945 | 1 | Mounting kit | For control cable type 333. |
| 3 | 843944 | 1 | · Anchorage | |
| 4 | 950021 | 2 | · Screw | |
| 5 | 941905 | 2 | · Spring washer | |
| 6 | 955844 | 2 | · Nut | |
| 7 | 850182 | 1 | · Cable attachment | |
| 8 | 850183 | 1 | · Spacer | |
| 9 | 814085 | 2 | · Cube | |
| 10 | 941906 | 2 | · Spring washer | |
| 11 | 17276 | 2 | · Cotter pin | |
| | | | | |
| | | | | |
| | | | | |
| | | | | |
| | | | | |
| | | | | |