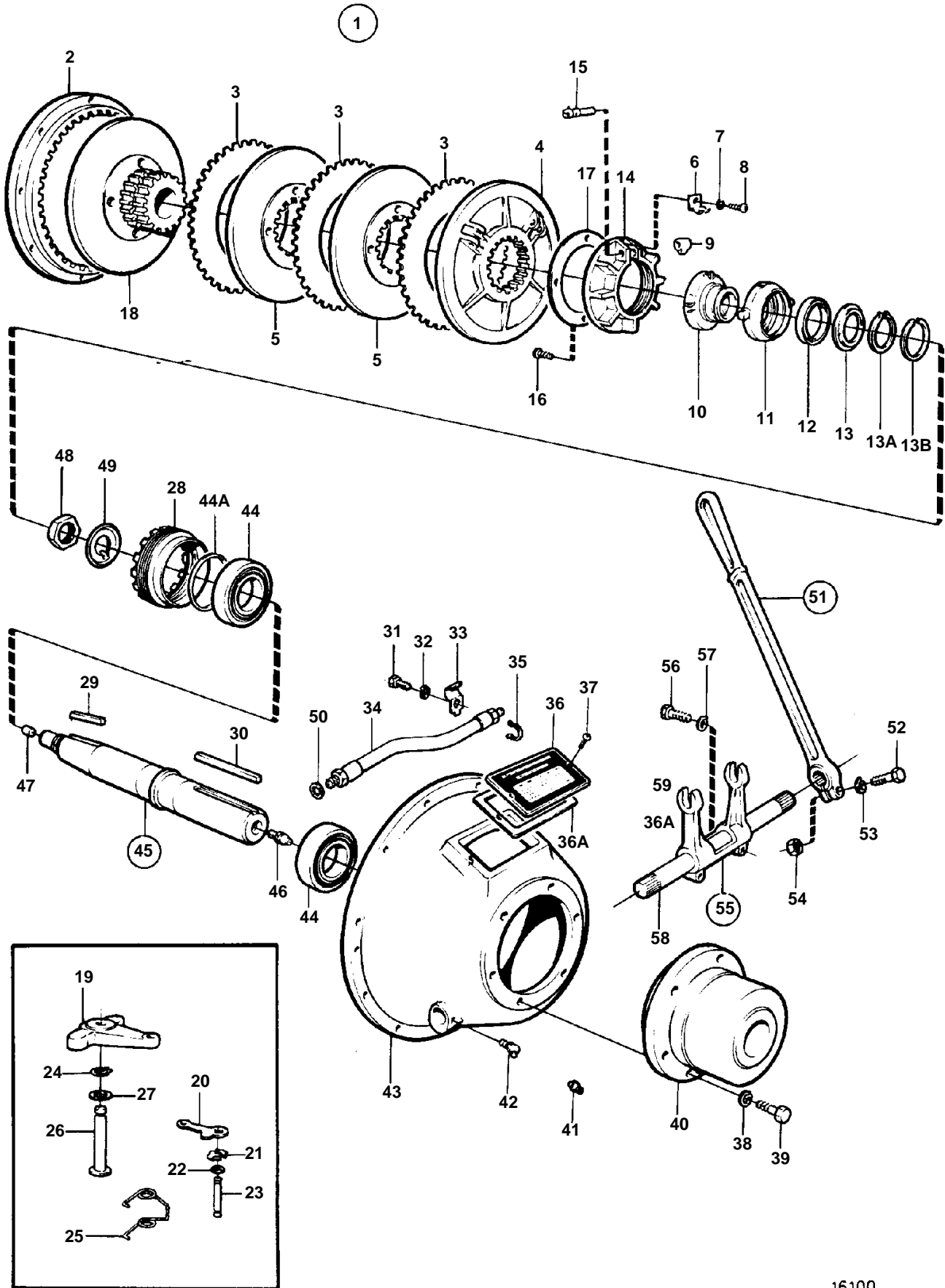


TMD121C, TAMD121C, TAMD121D



16100

## TMD121C, TAMD121C, TAMD121D

REF	PART NO.	QTY	DESCRIPTION	NOTES
1	862734	1	Power take-off	AP314, RATIO 1:1
2	847729	1	• Drive ring	
3		3	• Disc	
4	846531	1	• Pressure plate	
5	846560	1	• Spacer	
6	846525	1	• Lock spring	
7	846528	1	• Spring washer	
8	846527	1	• Screw	
9		1	• Lock	
10	847725	1	• Sleeve	
11	847724	1	• Bearing housing	
12		1	• Bearing	
13	847726	1	• Retainer	
13A	847728	1	• Striker plate	
13B	847727	1	• Striker plate	
14	849982	1	• Adjusting ring	
15		1	• • Lock pin	
16		3	• • Screw	
17		2	• • Adjusting plate	
18	846561	1	• Companion flange	
19		4	• Release arm	
20		8	• Link	
21		16	• Striker plate	
22		16	• Washer	
23		8	• Pin	
24		8	• Striker plate	
25		4	• Spring	
26		4	• Pin	
27	846534	8	• Washer	
28		1	• Retainer	
29	847735	1	• Key	
30	863021	1	• Key	
31		1	• Screw	
32	941907	1	• Spring washer	
33		1	• Striker plate	
34		1	• Lubricating hose	
35	846493	1	• Lock ring	
36		1	• Cover	
36A		1	• Gasket	
37		2	• Screw	
38		6	• Washer	
39	847730	6	• Screw	SO
40	847731	1	• Bearing housing	
41		1	• Lubricating nipple	
42	846497	2	• Lubricating nipple	SO
43		1	• Housing	
44		2	• Bearing	
44A	847736	1	Lock ring	SO
45	863015	1	• Shaft	SO
46		1	• Lubricating nipple	
47		1	• Screw	
48		1	• Nut	
49	847734	1	• Lock washer	
50		1	• Lock washer	
51		1	• Lever	
52		1	• • Screw	
53		1	• • Washer	
54	846510	1	• • Nut	
55	847916	1	• Fork	
56		2	• • Bolt	
57		2	• • Washer	
58	6603896	1	• Shaft	
59		2	• Key	