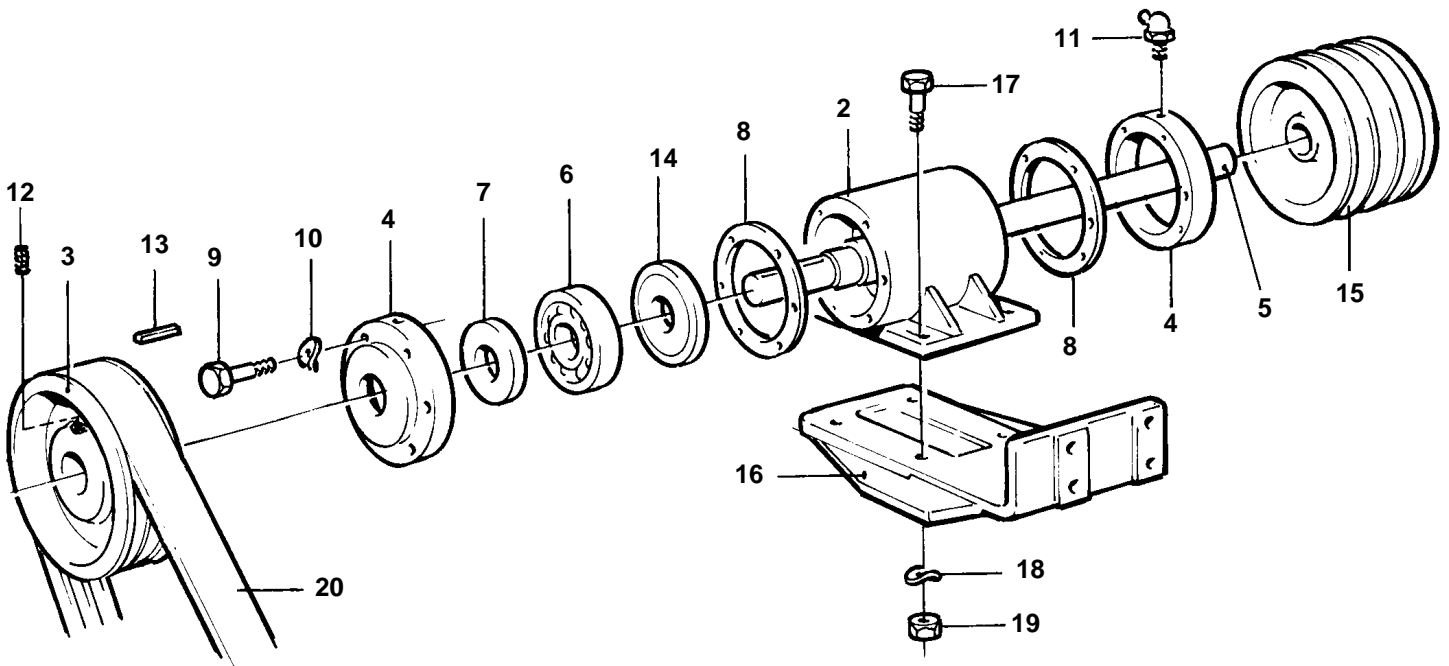


TMD121C, TAMD121C, TAMD121D

1



11804

TMD121C, TAMD121C, TAMD121D

REF	PART NO.	QTY	DESCRIPTION	NOTES
1		1	Power take-off	
2		1	· Bearing housing	
3		1	· Pulley	
4		2	· Cover	
5		1	· Shaft	
6	183719	2	· Roller bearing	
7	958876	2	· Sealing ring	
8		2	· Gasket	
9	955513	12	· Screw	
10	941906	12	· Spring washer	
11	914169	2	· Lubricating nipple	
12		1	· Screw	
13		1	· Key	L=140mm
		1	· Key	L=180mm
14	946769	2	· Seal	
15		1	Pulley	
16		1	Bracket	
17		4	Screw	
18	955896	4	Washer	
19	940157	4	Nut	
20	837466	1	V-belt	