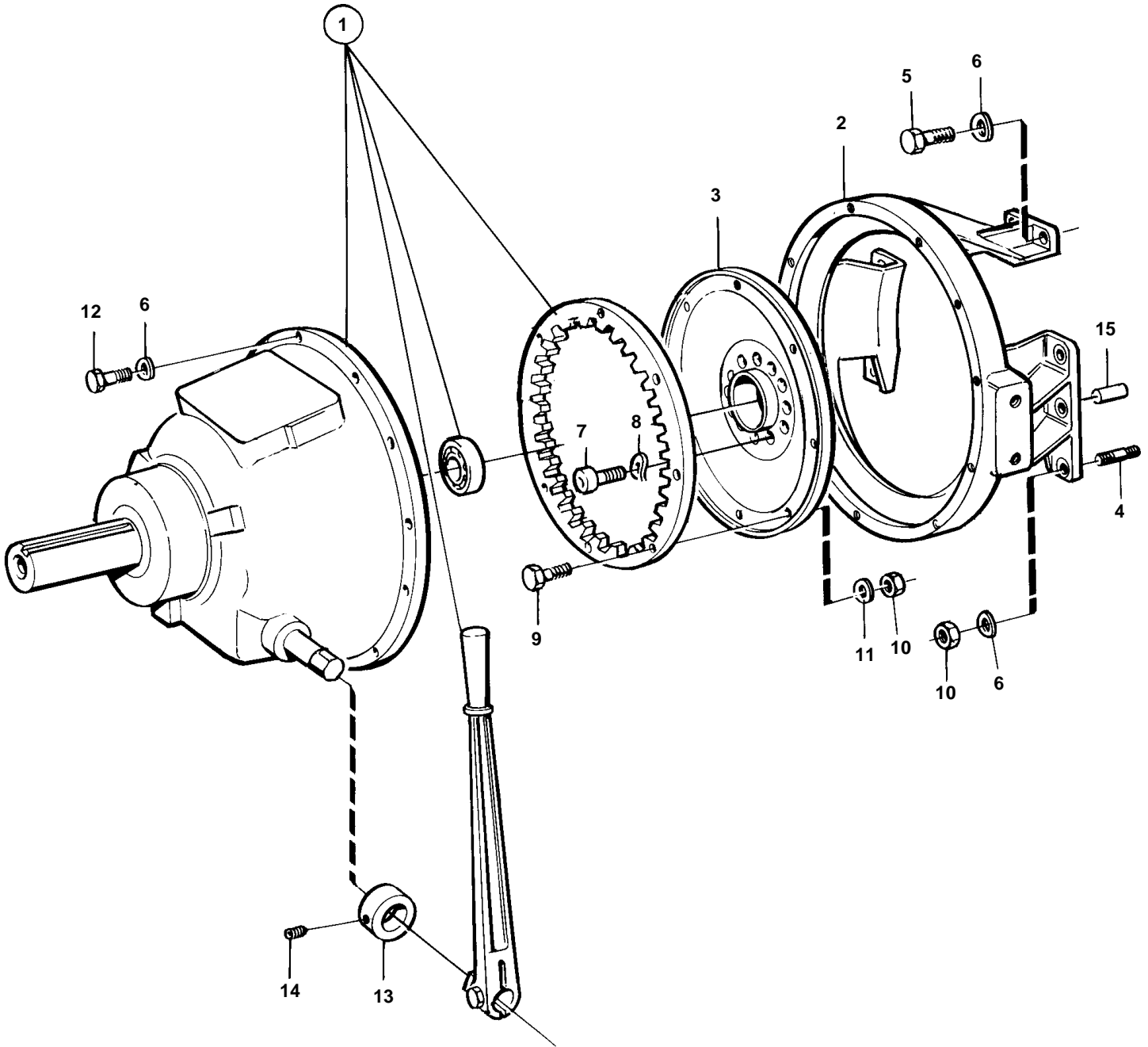


TMD121C, TAMD121C, TAMD121D



11814

TMD121C, TAMD121C, TAMD121D

REF	PART NO.	QTY	DESCRIPTION	SEE SEC.
1	820802	1	Clutch Ball bearing	
				2380
2	823121	1	Bracket	
3	823080	1	Companion flange	
4	953282	6	Stud	
5	955535	2	Screw	
6	942336	20	Spring washer	
7	956610	12	Screw	
8	941909	12	Spring washer	
9	955536	8	Screw	
10	955827	14	Nut	
11	955950	8	Lock washer	
12	940115	12	Screw	
13	803612	2	Stop ring	
14		4	Set screw	
15	941510	2	Pin	