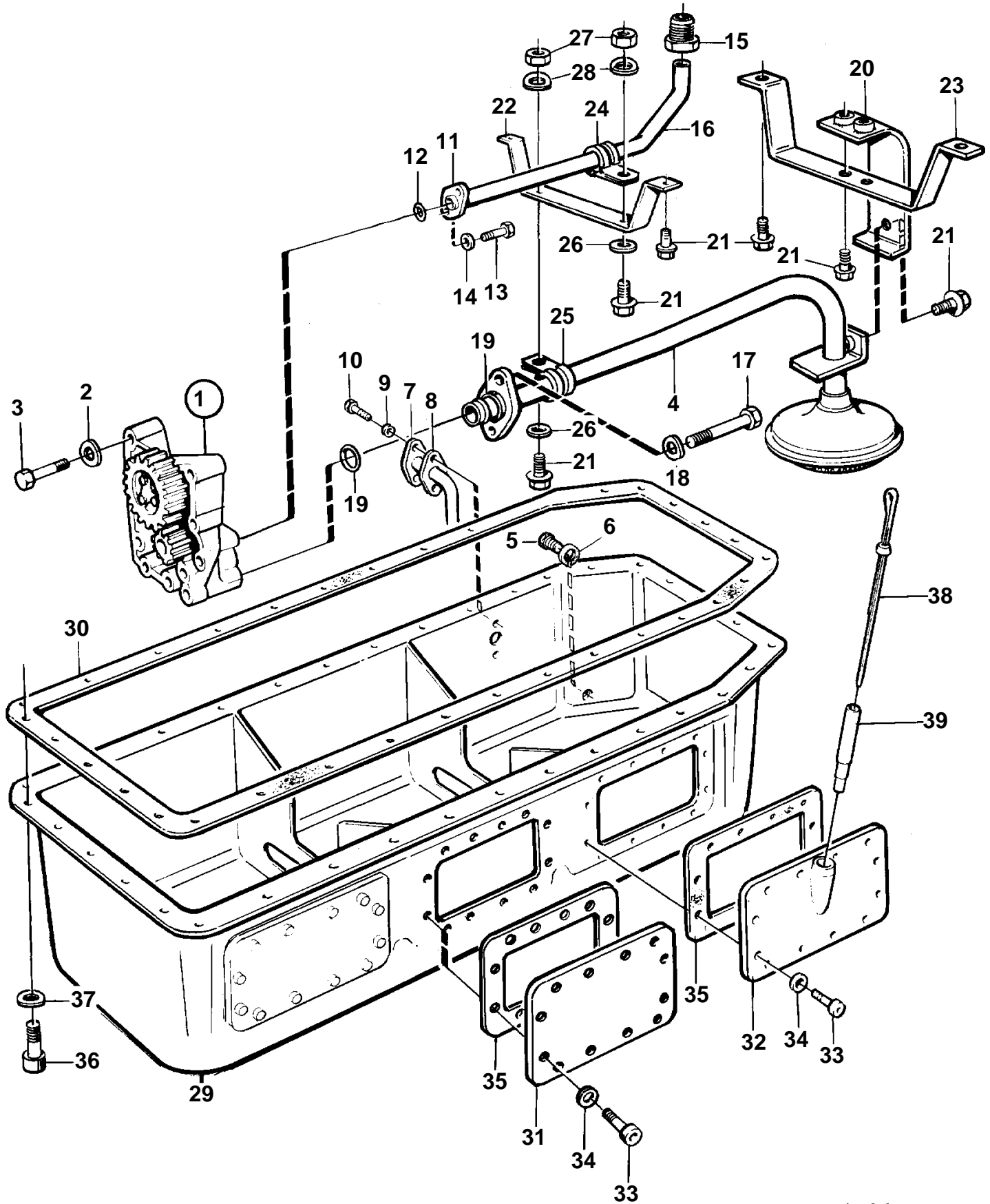


TAMD102A, TAMD102D



15226

## TAMD102A, TAMD102D

REF	PART NO.	QTY	DESCRIPTION	SEE SEC.	NOTES
1	479317	1	Oil pump		
				105	
2	942336	4	Spring washer		
3	955538	4	Screw		
4	422751	1	Tube		
5	960634	1	Plug		
6	947627	1	Gasket		
7	896775	1	Tube		
8	862602	1	Gasket		
9	941907	2	Spring washer		
10	955525	2	Screw		
11	1545829	1	Flange		
12	470263	1	Sealing ring		
13	955533	2	Screw		
14	941907	2	Spring washer		
15	466908	1	Fitting		
16	1545828	1	Tube, oil-pressure		
17	955531	2	Screw		
18	941907	2	Spring washer		
19	470383	2	Sealing ring		
20	864377	1	Bracket		
21	942402	9	Flange screw		
22	1545415	1	Bracket		
23	470918	1	Bracket		
24	1545432	1	Clamp		I.D=20mm
25	1545431	1	Clamp		I.D=26mm
26	955894	2	Washer		
27	955826	2	Nut		
28	941907	2	Spring washer		
29	866462	1	Oil pan		(864513)
30	1545696	1	Gasket		
31	800877	2	Inspection lid		
32	802057	1	Inspection lid		
33	956569	36	Screw		
34	11992	36	Gasket		
35	862597	3	Gasket		
36	956570	41	Screw		
37	941907	41	Spring washer		
38	821101	1	Oil dipstick		
39	801480	1	Sleeve		