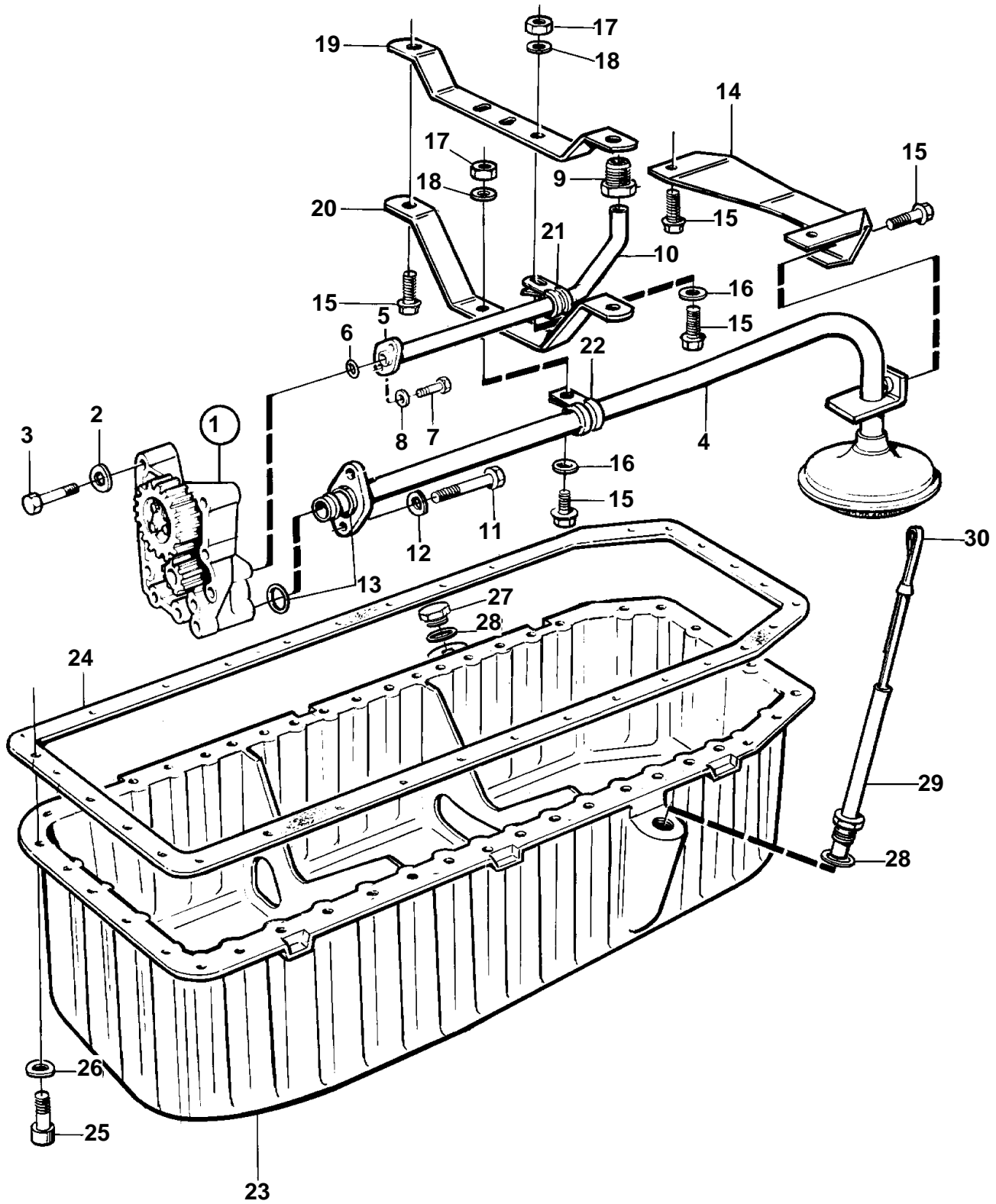


TAMD102A, TAMD102D



15232

TAMD102A, TAMD102D

REF	PART NO.	QTY	DESCRIPTION	SEE SEC.	NOTES
1	479317	1	Oil pump		
				105	
2	942336	4	Spring washer		
3	955538	4	Screw		
4	864216	1	Tube		
5	1545829	1	Flange		
6	470263	1	Sealing ring		
7	955533	2	Screw		
8	941907	2	Spring washer		
9	466908	1	Fitting		
10	1545828	1	Tube		
11	955531	2	Screw		
12	941907	2	Spring washer		
13	470383	2	Sealing ring		
14	866711	1	Bracket		
15	942402	7	Flange screw		
16	955894	2	Washer		
17	955826	2	Nut		
18	941907	2	Spring washer		
19	470918	1	Bracket		
20	470893	1	Bracket		
21	1545432	1	Clamp		I.D=20mm
22	1545431	1	Clamp		I.D=26mm
23	866692	1	Oil pan		
24	1545696	1	Gasket		
25	956570	41	Screw		
26	941907	41	Spring washer		
27	949175	1	Magnetic plug		
28	957187	2	Washer		
29	848983	1	Tube		
30	848984	1	Oil dipstick		