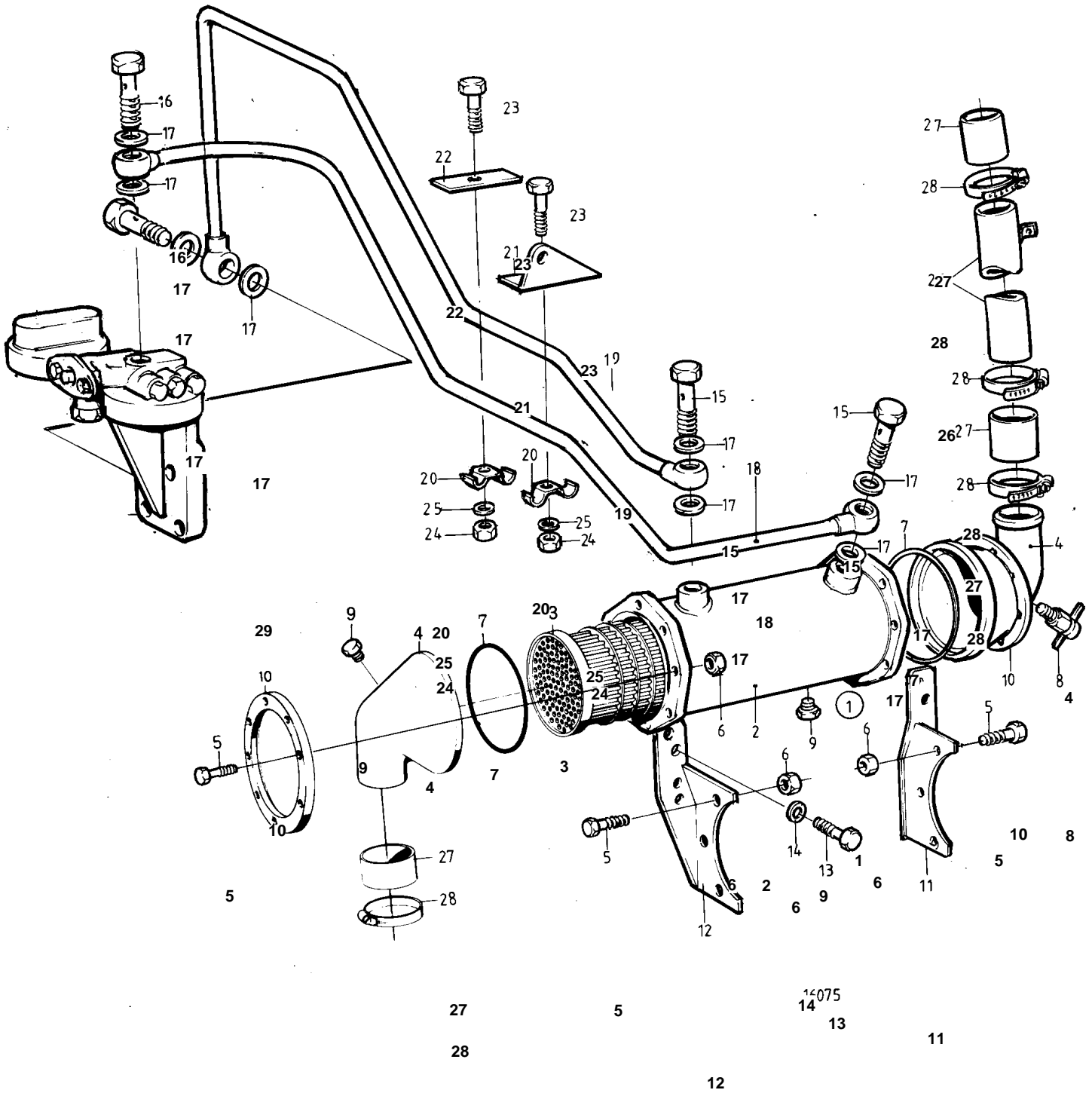


TMD102A(AUX)



TMD102A(AUX)

REF	PART NO.	QTY	DESCRIPTION	SEE SEC.	NOTES
1		1	Oil cooler		EARLY TYPE
	3826144	1	Oil cooler		LATE TYPE
2		1	· Housing		
3	3825932	1	· Insert		(864215)
4	823803	2	· End plate		
5	942384	16	· Screw		
6	955825	16	· Nut		
7	925027	2	· O-ring		
8	82744	1	· Tap		
9	180759	2	· Plug		
10	823802	2	· Clamping ring		
11	821058	1	Bracket		
12	821061	1	Bracket		
13	955544	2	Screw		L=102mm
	940115	2	Screw		L=25mm
14	942336	4	Spring washer		
15	191929	2	Hollow screw		
16	191157	2	Hollow screw		
17	947627	8	Gasket		
18	847205	1	Tube		
19	847204	1	Tube		
20	942421	2	Clamp		
21		1	Anchorage		
22	821076	1	Clamp		
23	955513	2	Screw		
24	955825	2	Nut		
25	941906	2	Spring washer		
26	820639	1	Tube		
27	952980	X	Rubber hose		L=130mm
28	961673	4	Clamp		
29		1	Shift valve		
				2809	