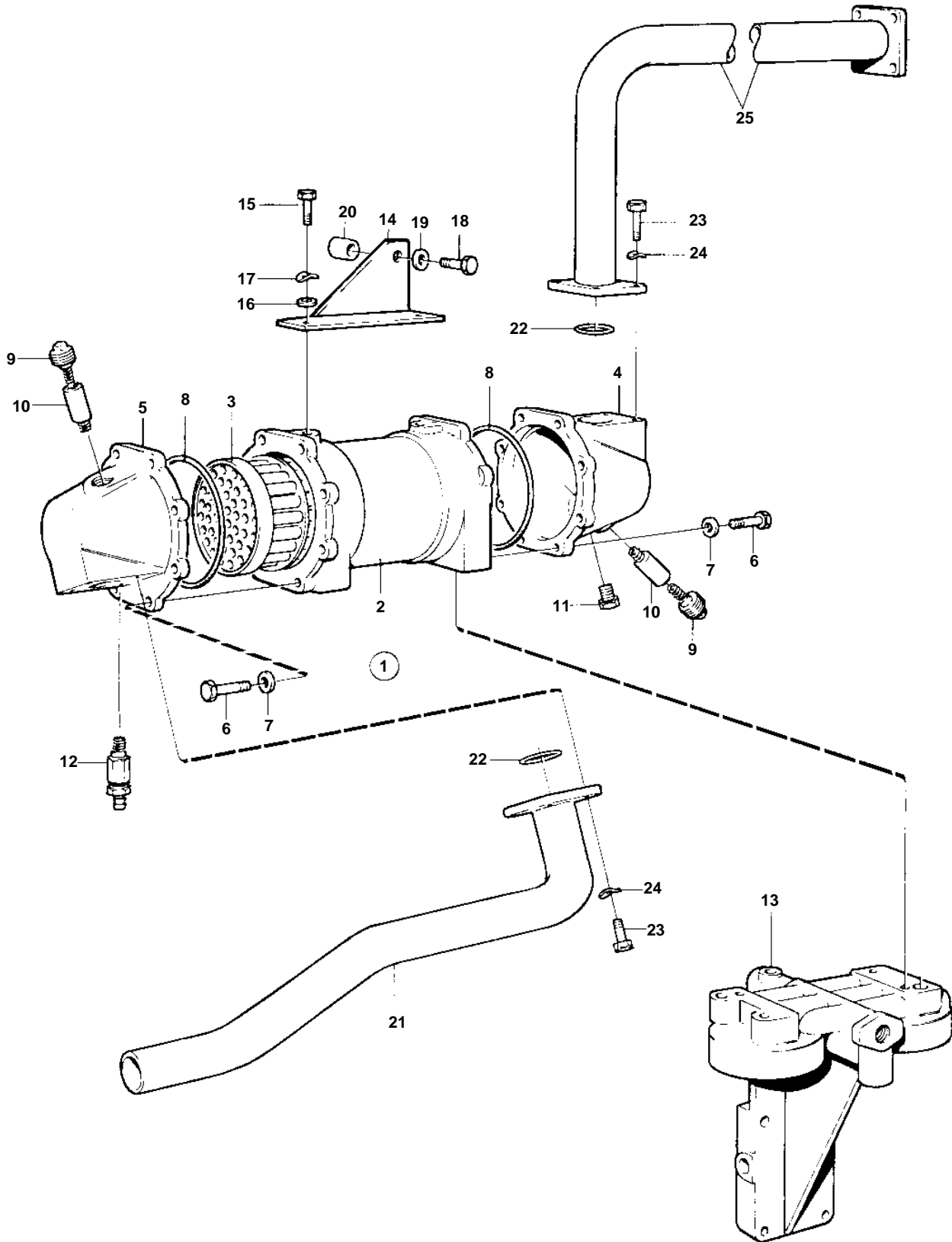


TMD102A



TMD102A

REF	PART NO.	QTY	DESCRIPTION	SEE SEC.	NOTES
1		1	Oil coolerengine		
2	849410	1	· Housing		
3	3825932	1	· Insert		CLASSIFIED (864213)
4	846235	1	· End cover		
5	846235	1	· End cover		
6	940094	16	· Screw		
7	941906	16	· Spring washer		
8	925027	2	· O-ring		
9	838928	2	· Plug		
10	838929	2	· Zinc anod		
11	861551	1	· Plug		(192134)
12	949918	1	Drain cock		
13		1	Oil filter housing	2729	
14	846983	1	Support		
15	940100	2	Screw		
16	955893	2	Washer		
17	941906	2	Spring washer		
18	955535	1	Screw		
19	942336	1	Spring washer		
20	829653	1	Spacer sleeve		
21	847004	1	Tube, heat exchanger		SN-1101051736/XXXXXX
	3825451	1	Coolant pipe, heat exchanger		SN1101051737/XXXXXX-
22	864491	3	Gasket		
23	940135	12	Screw		
24	941907	12	Spring washer		
25	846707	1	Tube, reverse gear		SN-1101051736/XXXXXX
	3825450	1	Coolant pipe, reverse gear		SN1101051737/XXXXXX-