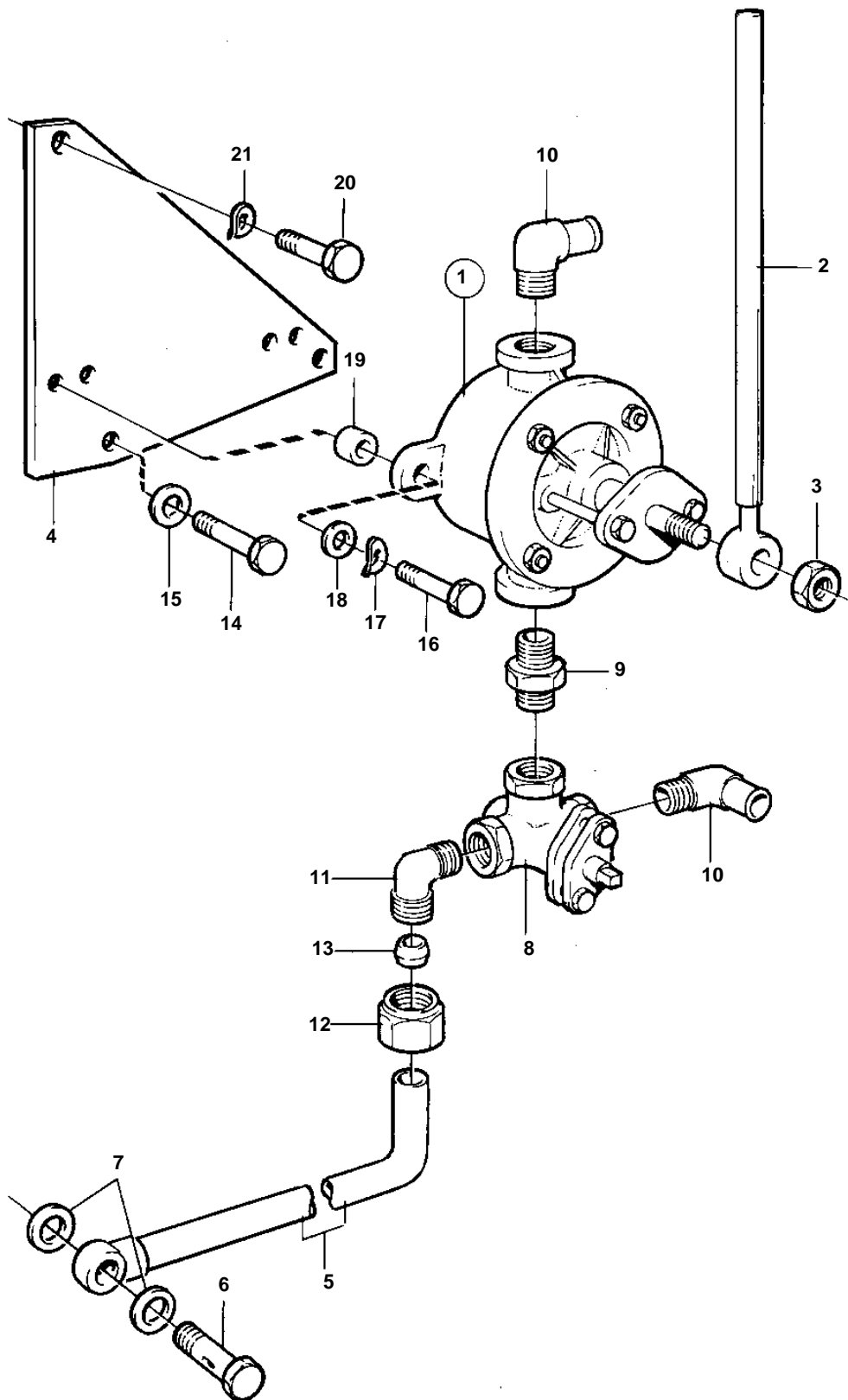


TMD102A, TAMD102A, TAMD102D



9115

TMD102A, TAMD102A, TAMD102D

REF	PART NO.	QTY	DESCRIPTION		NOTES
1	805999	1	Oil bilge pump, Standard oil sump		
2	821713	1	· Handle		
3	955783	1	· Nut		
4	849453	1	Bracket	SO	
5		1	Tube		SN-1101050156/XXXXXX
	864393	1	Tube		SN1101050157/XXXXXX-
6	26013	1	Hollow screw		
7	947624	2	Gasket		
8	807721	1	Tap		SN-1101050156/XXXXXX
	866572	1	Tap		SN1101050157/XXXXXX-
9	16452	1	Nipple		
10	467716	2	Elbow nipple		(961610)
11	941758	1	Elbow union		
12	941752	1	Nut		
13	941753	1	Ferrule		
14	940135	2	Screw		
15	941907	2	Spring washer		
16	955538	2	Screw		
17	942336	2	Spring washer		
18	960148	2	Washer		
19	845884	2	Spacer sleeve		
20	940114	1	Screw		
21	942336	1	Spring washer		