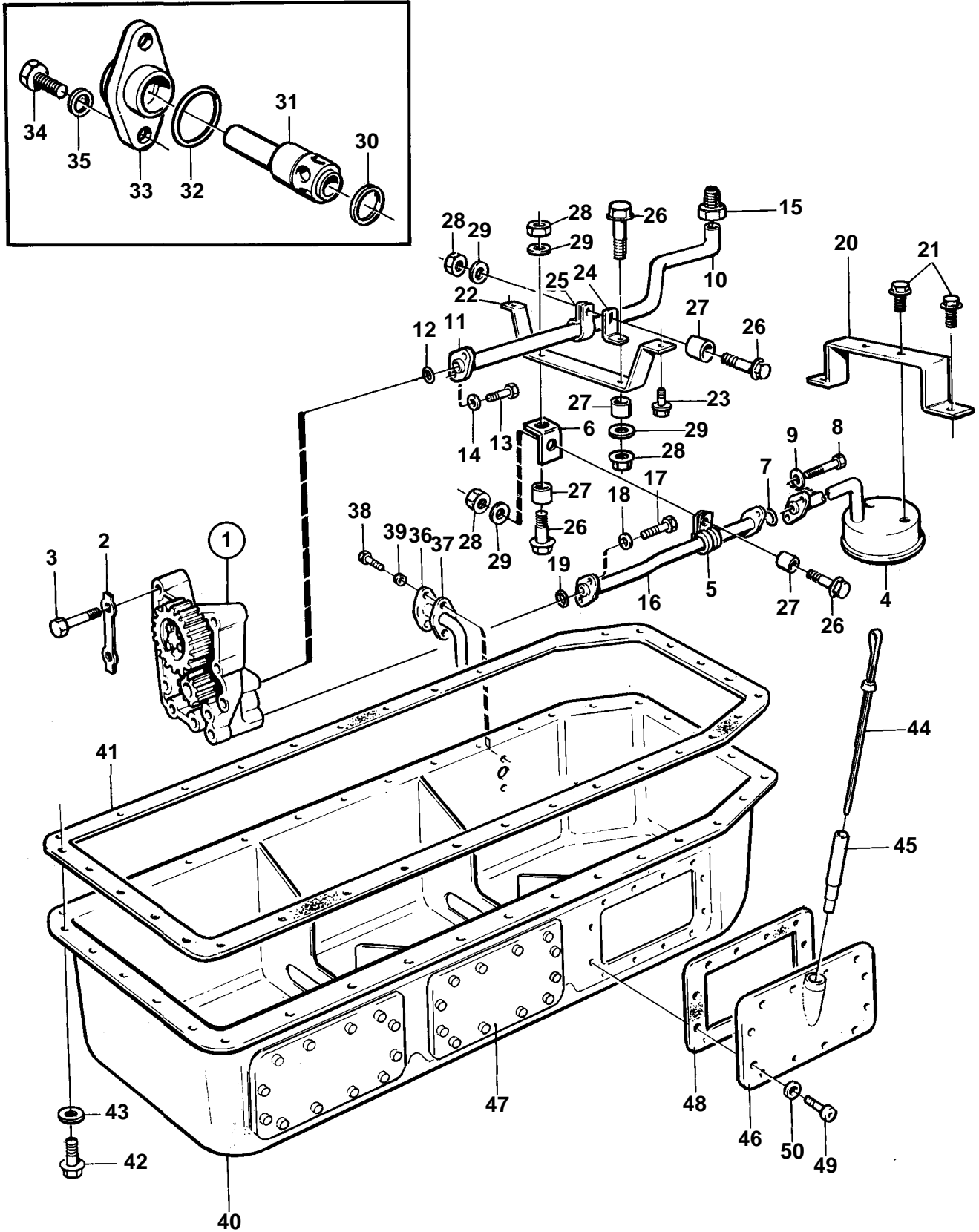


TMD102A



16525

TMD102A

REF	PART NO.	QTY	DESCRIPTION	SEE SEC.	NOTES
1	1545119	1	Oil pump	1864	REPLACED BY 479319
	479319	1	Oil pump	1864	
2	190529	2	Lock washer		EARLY TYPE
	942336	4	Spring washer		LATE TYPE
3	955538	4	Screw		
4	824156	1	Oil pump screen		
5	862749	1	Clamp		I.D=24mm
6	1545203	1	Bracket		
7	949658	1	O-ring		
8	955530	2	Screw		
9	941907	2	Spring washer		
10	1545270	1	Oil feed pipe		
11	1545272	1	Flange		
12	1545271	1	Sealing ring		
13	955531	2	Screw		
14	941907	2	Spring washer		
15	466907	1	Fitting		
16	846641	1	Tube		
17	940135	2	Screw		
18	941907	2	Spring washer		
19	949658	1	O-ring		
20	896682	1	Bracket		
21	942402	4	Flange screw		
22	1545011	1	Bracket		
23	942402	2	Flange screw		
24	1545203	1	Bracket		
25	1545433	1	Clamp		I.D=18mm
26	940117	4	Screw		
27	1545269	4	Sleeve		
28	955825	4	Nut		
29	960140	4	Washer		
30	469846	1	Sealing ring		
31	471706	1	Reducing valve		
32	949658	1	O-ring		
33	471752	1	Cover		
34	940100	2	Screw		
35	949607	2	Spring washer		
36	896775	1	Tube		
37	862602	1	Gasket		
38	955525	2	Screw		
39	941907	2	Spring washer		
40	866462	1	Oil pan		(863100)
41	1545696	1	Gasket		
42	956570	41	Screw		
43	941907	41	Spring washer		
44	821101	1	Oil dipstick		
45	801480	1	Sleeve		
46	802057	1	Inspection lid		
47	800877	2	Inspection lid		
48	862597	3	Gasket		
49	956569	36	Screw		
50	11992	36	Gasket		