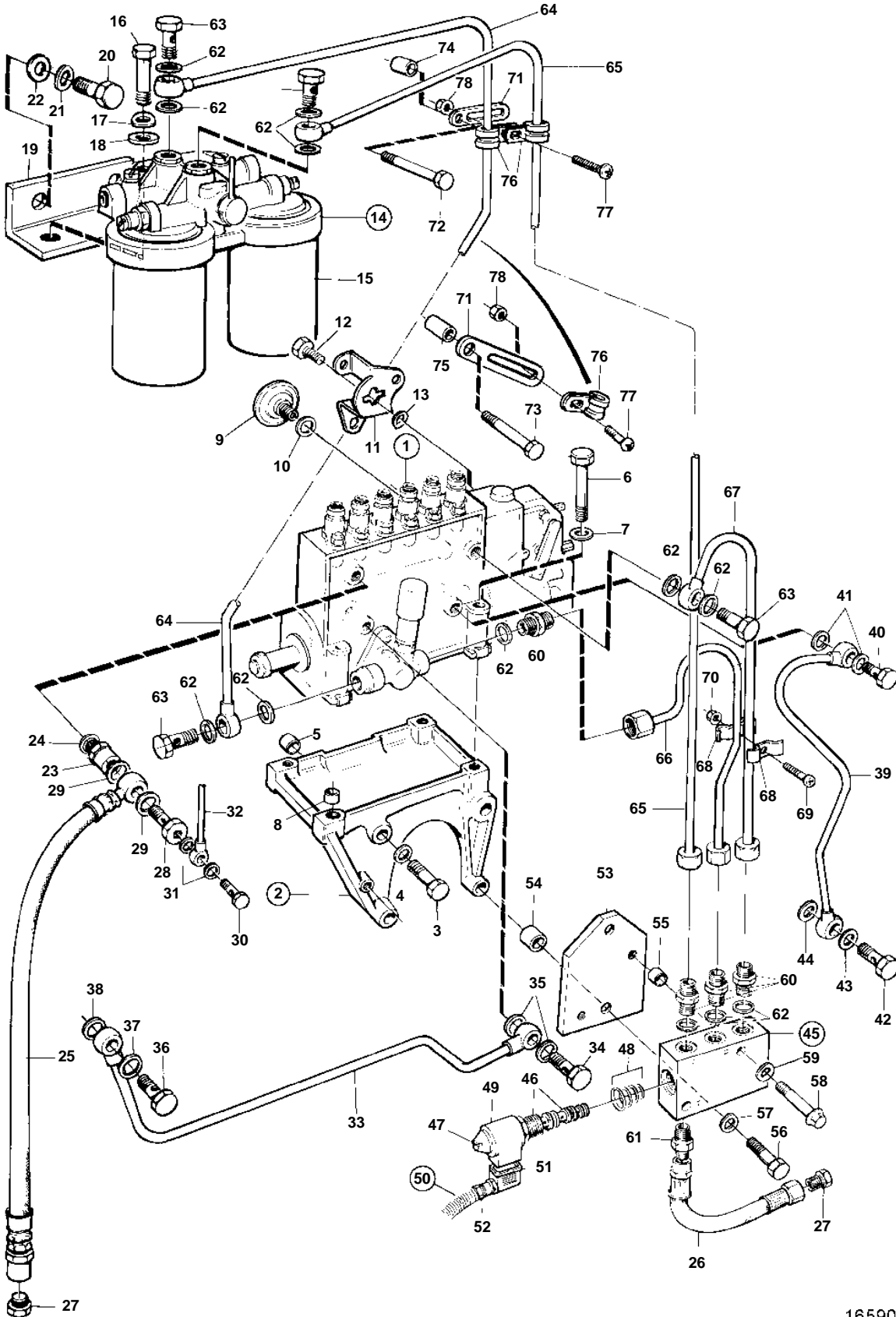


TMD102A



16590

TMD102A

REF	PART NO.	QTY	DESCRIPTION	SEE SEC.	NOTES
1	849194	1	Injection pump		
	3803765	1	Injection pump, exch		Exchange unit
				2830	
2	468558	1	Bracket		
3	955566	2	Screw		
4	940280	2	Spring washer		
5		2	Guide sleeve		
6	940156	4	Screw		
7	190509	4	Washer		
8	417588	1	Guide sleeve		
9	477173	1	Pressure equalizer		
10	969011	1	Gasket		
11	848677	1	Lever		
12	955270	1	Screw		
13	941906	1	Spring washer		
14	864399	1	Fuel cleaner		
				2093	
15	3825133	2	Fuel filter		
16	940162	2	Screw		
17	942336	2	Spring washer		
18	960142	2	Washer		
19	845319	1	Bracket		
20	940160	2	Screw		
21	960144	2	Washer		
22	941909	2	Spring washer		
23	35096	1	Overflow valve		
24	15304	1	Gasket		
25	866964	1	Fuel hose		
26	866963	1	Fuel hose		
27	22753	2	Nipple		
28	16496	1	Hollow screw		
29	969011	2	Gasket		
30	74033	1	Hollow screw		
31	947620	2	Gasket		
32	846805	1	Leak-off pipe		
33	422245	1	Pressure oil line		
34	48634	1	Hollow screw		
35	947281	2	Gasket		
36	837709	1	Hollow screw		Connected together with oil pressure pipe for power take off.
37	11994	1	Gasket		
38	18666	1	Gasket		
39	422246	1	Pipe, oil drain		
40	25167	1	Hollow screw		
41	969011	2	Gasket		
42	942007	1	Hollow screw		
43	11998	1	Gasket		
44	942703	1	Gasket		
45	866699	1	Shut-off valve		
46		1	• Valve		
47		1	• Nut		
48	3825238	1	• Gasket kit		
49	3825240	1	• Magnet		
50	873631	1	Wiring harness		
51		1	• Connector unit		
52		1	• Cable union		
53	3826145	1	Bracket		(3825601)
54	1678297	2	Spacer sleeve		
55	843075	2	Sleeve		
56	955570	2	Screw		
57	940280	2	Spring washer		
58	973924	2	Flange screw		
59	966674	2	Washer		
60	941754	4	Nipple		

TMD102A

REF	PART NO.	QTY	DESCRIPTION	SEE SEC.	NOTES
61	977677	1	Nipple		
62	969011	10	Gasket		
63	25167	4	Hollow screw		
64	864343	1	Fuel pipe		
65	864342	1	Fuel pipe		
66	864341	1	Fuel pipe		
67	864340	1	Fuel pipe		
68	404279	2	Clamp		
69	950047	1	Screw		
70	955825	1	Nut		
71	965535	2	Bracket		
72	959800	1	Screw		L=178mm
73	959799	1	Screw		L=165mm
74	820917	1	Spacer sleeve		L=11mm
75	822255	1	Spacer sleeve		L=24mm
76	952625	3	Clamp		
77	950047	2	Screw		
78	955825	2	Nut		