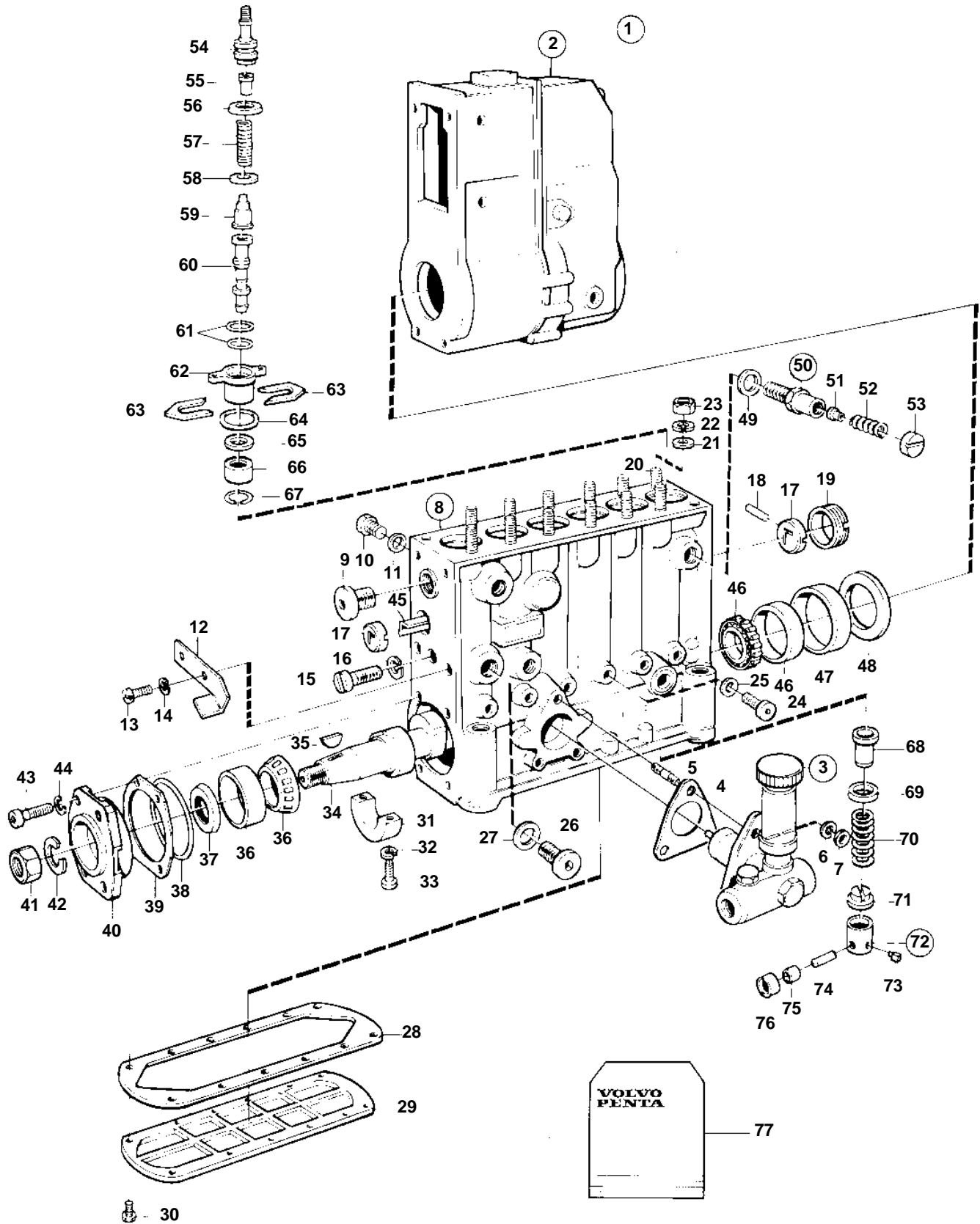


TMD102A



TMD102A

REF	PART NO.	QTY	DESCRIPTION	SEE SEC.	NOTES
1	849194	1	Injection pump		
	3803765	1	Injection pump, exch		Exchange unit
2		1	• Governor		
				2832	
3	244825	1	• Feed pump		
				600	
4	863370	1	• Gasket		Included in small parts kit.
5		3	• Stud		
6	941906	3	• Spring washer		Included in small parts kit.
7	940197	3	• Nut		
8		1	• Housing		
9		1	• Plug		
10		1	• Lock screw		
11	239897	1	• Gasket		
12		1	• Setting indicator		
13	956092	2	• Screw		
14	941906	2	• Spring washer		
15		1	• Screw		
16	947620	1	• Gasket		
17		2	• Guide sleeve		
18		1	• Lock pin		
19		1	• Bushing		
20		12	• Stud		
21		12	• Washer		
22	941908	12	• Spring washer		
23	943927	12	• Nut		
24	180707	6	• Plug		
25	18836	6	• Gasket		Included in small parts kit.
26		1	• Plug		
27	240017	1	• Gasket		Included in small parts kit.
28	1698192	1	• Gasket		
29		1	• Cover		
30		12	• Screw		
31	244406	1	• Bearing	SO	
32	941906	2	• Spring washer		
33		2	• Screw		
34		1	• Camshaft		
35	35168	1	• Key		Included in small parts kit.
36	240023	1	• Roller bearing		
37	864299	1	• Sealing ring		Included in small parts kit.
38	243299	1	• O-ring		Included in small parts kit.
39		X	• Shim		TH = 0.10mm
		X	• Shim		TH = 0.12mm
		X	• Shim		TH = 0.14mm
		X	• Shim		TH = 0.16mm
		X	• Shim		TH = 0.18mm
		X	• Shim		TH = 0.30mm
		X	• Shim		TH = 0.50mm
40	240021	1	• Cover	SO	
41	955806	1	• Nut		
42	955927	1	• Spring washer		Included in small parts kit.
43		4	• Screw		
44	941906	4	• Spring washer		Included in small parts kit.
45		1	• Control rod		
46	240023	1	• Roller bearing		
47		1	• Ring		
48		X	• Shim		TH = 1.20mm
		X	• Shim		TH = 1.50mm
		X	• Shim		TH = 1.80mm
		X	• Shim		TH=2.00mm
49	239897	1	• Gasket		Included in small parts kit.
50	35096	1	• Overflow valve		
51		1	• Peg		

TMD102A

REF	PART NO.	QTY	DESCRIPTION	SEE SEC.	NOTES
52		1	• • Spring		
53		1	• • Bushing		
54	244636	6	• Delivery valve retai		
55	240971	6	• Plug		
56	240001	6	• Gasket		Included in small parts kit.
57	240969	6	• Spring		
58	239993	6	• Gasket		
59	846188	6	• Delivery valve		
60	244730	6	• Pump element		
61	240422	12	• O-ring		Included in small parts kit.
62		6	• Sleeve		
63		X	• Shim		TH = 0.40mm
		X	• Shim		TH = 0.50mm
		X	• Shim		TH = 0.70mm
		X	• Shim		TH = 0.75mm
		X	• Shim		TH = 0.80mm
		X	• Shim		TH = 0.95mm
		X	• Shim		TH = 1.00mm
		X	• Shim		TH = 1.05mm
		X	• Shim		TH = 1.10mm
		X	• Shim		TH = 1.15mm
		X	• Shim		TH = 1.25mm
		X	• Shim		TH = 1.30mm
		X	• Shim		TH = 1.40mm
		X	• Shim		TH = 1.50mm
		X	• Shim		TH = 1.55mm
		X	• Shim		TH = 1.60mm
		X	• Shim		TH = 1.65mm
		X	• Shim		TH = 1.70mm
		X	• Shim		TH = 1.75mm
		X	• Shim		TH = 1.80mm
		X	• Shim		TH = 1.90mm
		X	• Shim		TH=2.00mm
		X	• Shim		TH=2.10mm
		X	• Shim		TH=2.15mm
		X	• Shim		TH=2.20mm
64		6	• O-ring		Included in small parts kit.
65		6	• Washer		
66		6	• Cover		
67	239990	6	• Lock ring		Included in small parts kit.
68	240782	6	• Control sleeve		
69	239984	6	• Spring disc		
70	244731	6	• Spring		
71	244685	6	• Spring disc		
72		6	• Push rod		
73		6	• • Plate		
74		6	• • Bolt		
75		6	• • Bushing		
76		6	• • Bearing		
70	845240	1	Small parts kit		