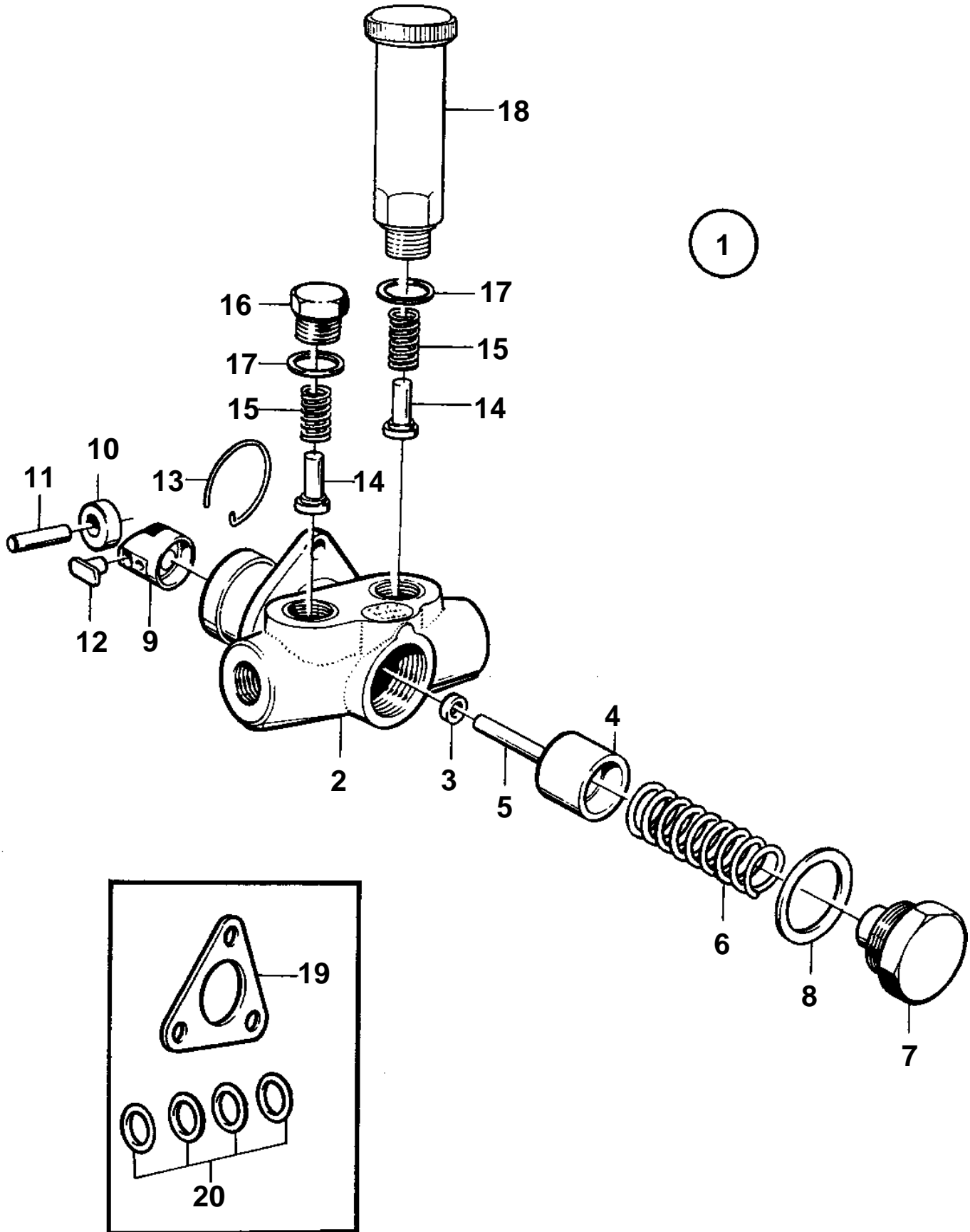


TMD122A, TAMD122A



10917

TMD122A, TAMD122A

REF	PART NO.	QTY	DESCRIPTION		NOTES
1	244391	1	Feed pump		REPLACED BY 1699140
	1699140	1	Feed pump		
2		1	· Housing		
3	240270	1	· Gasket		
4	240548	1	· Pump piston		D=21,990-21,995mm
5	243374	1	· Push rod	OP	D=4,993-4,998mm
6	244392	1	· Spring		
7		1	· Plug		
8	18844	1	· Gasket		
9		1	· Tappet		
10		1	· · Roller		
11		1	· · Lifting arm shaft		
12		2	· · Guide		
13		1	· Spring ring		
14	243136	2	· Valve		
15	76706	2	· Spring		
16	25278	1	· Plug	OP	
17	240572	2	· Gasket		
18	1698348	1	· Hand pump		(76703)
19	6232208	1	· Gasket		(863370)
20	969011	4	· Gasket		