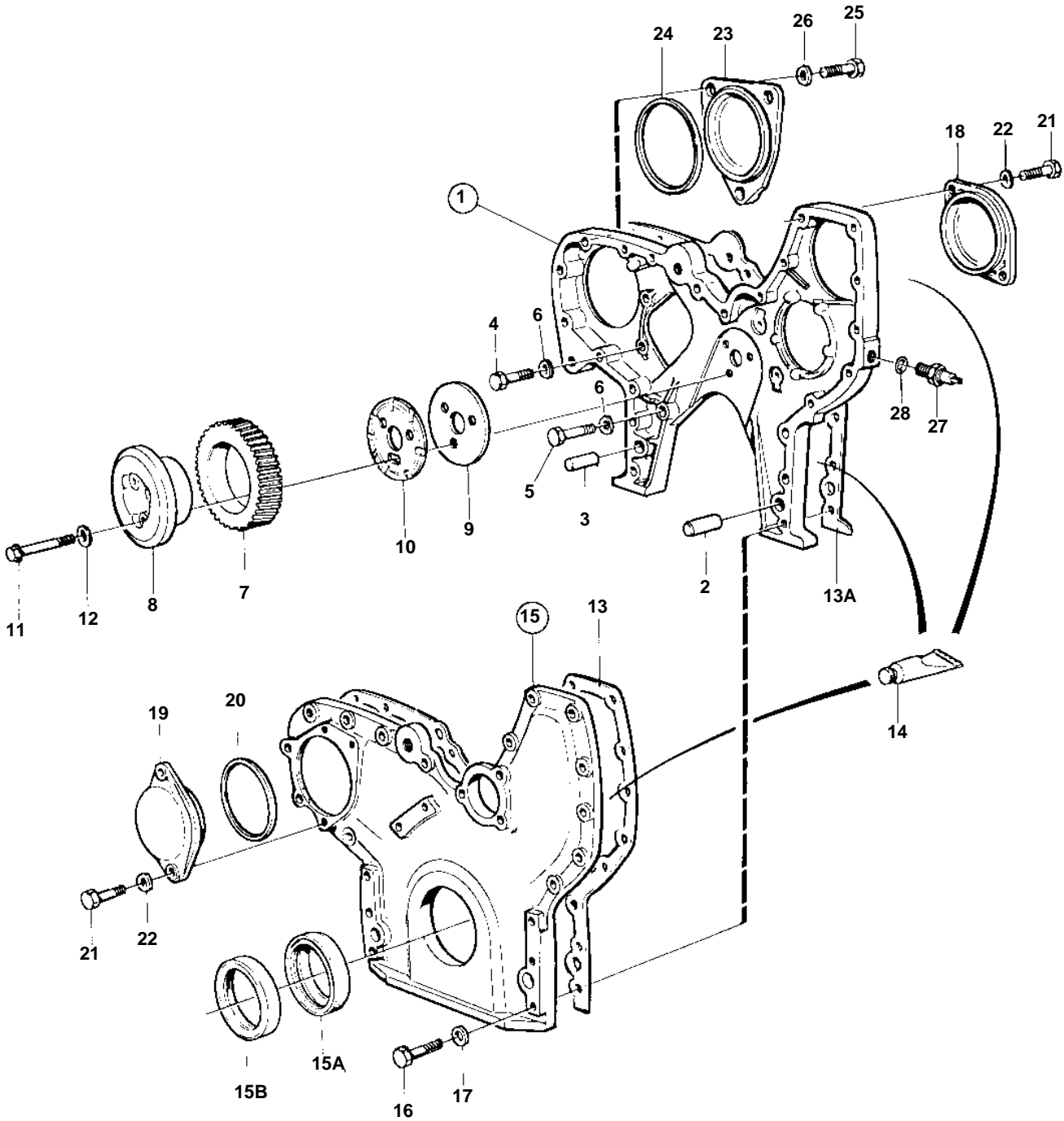


TMD122A, TAMD122A, TAMD122P-A



15798

TMD122A, TAMD122A, TAMD122P-A

REF	PART NO.	QTY	DESCRIPTION	SEE SEC.	NOTES
1	422622	1	Timing gear casing		
2	941510	1	· Pin		
3	941511	1	· Pin		
4	941939	4	Screw		L=28,6mm
5	955537	1	Screw		L=51mm
6	942336	5	Spring washer		
7	467461	1	Drive		
			Bulletin 45-01	45-01-EN	Timing Gears, 71, 100, 121
8	422766	1	Spindle		
9	478951	1	Thrust washer		
10	467528	1	Bearing shield		
11	468738	3	Screw		
12	942180	3	Washer		
13	422626	1	Gasket		ALT
13A	468557	1	Gasket		ALT
14	1161231	X	Sealant		ALT 304ml
	1161277	X	Sealant		ALT 10g
15	864621	1	Cover		(823633)
15A	424983	1	· Sealing ring		
15B	941666	1	· Felt ring		
16	955541	2	Screw		L=76mm
	940162	10	Screw		L=38mm
	955538	2	Screw		L=57mm
	955544	6	Screw		L=102mm
17	942336	27	Spring washer		
18	420183	1	Cover, hydraulic pump		
19	420183	1	Cover, power take off		
20	420213	1	Seal		
21	940115	4	Screw		
22	942336	4	Spring washer		
23	420178	1	Cover, sea water pump		
24	975610	1	O-ring		
25	955576	3	Screw		
26	941911	3	Spring washer		
27		1	Tachometer sensor		SE GROUP 30
28		1	O-ring		SE GROUP 30