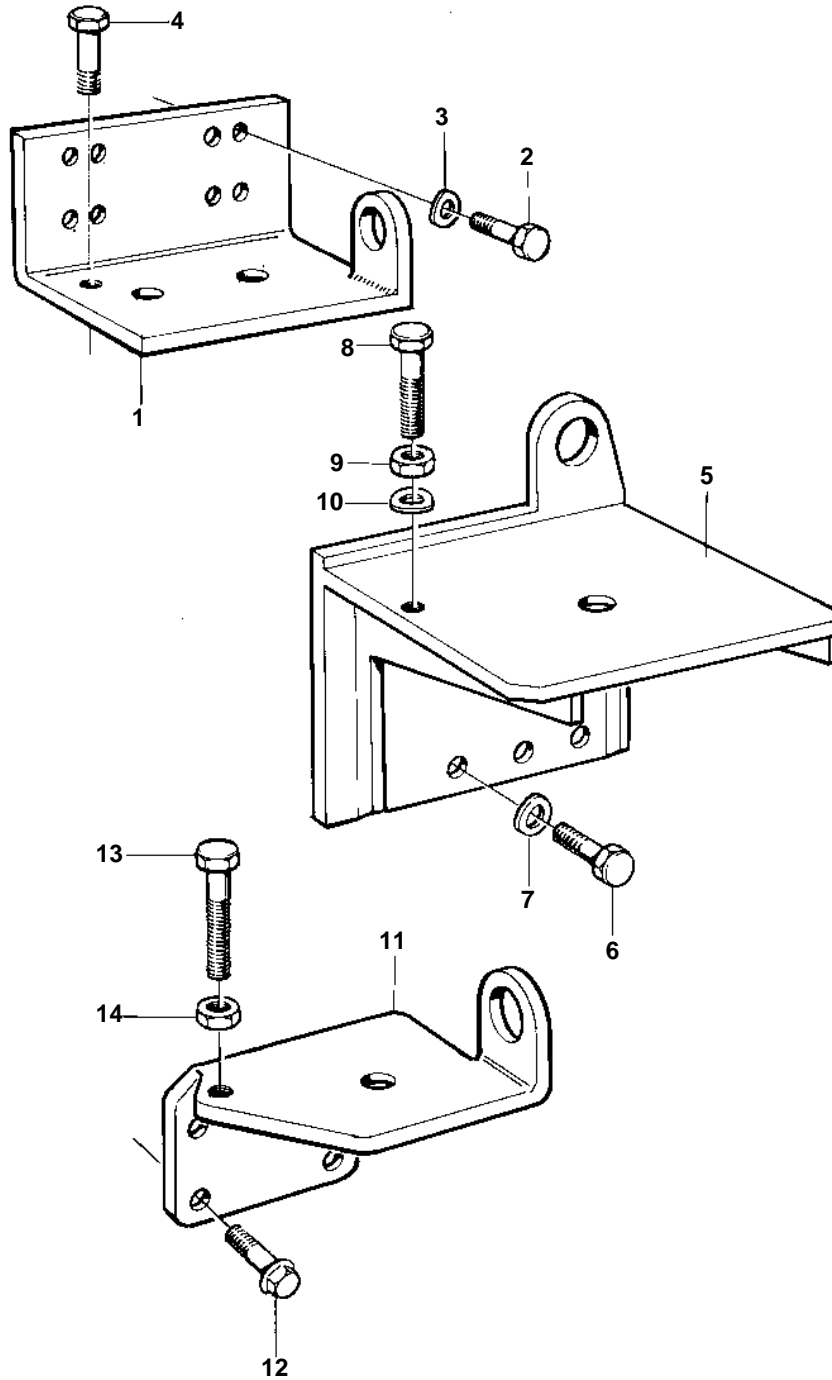


TAMD102D



15442

