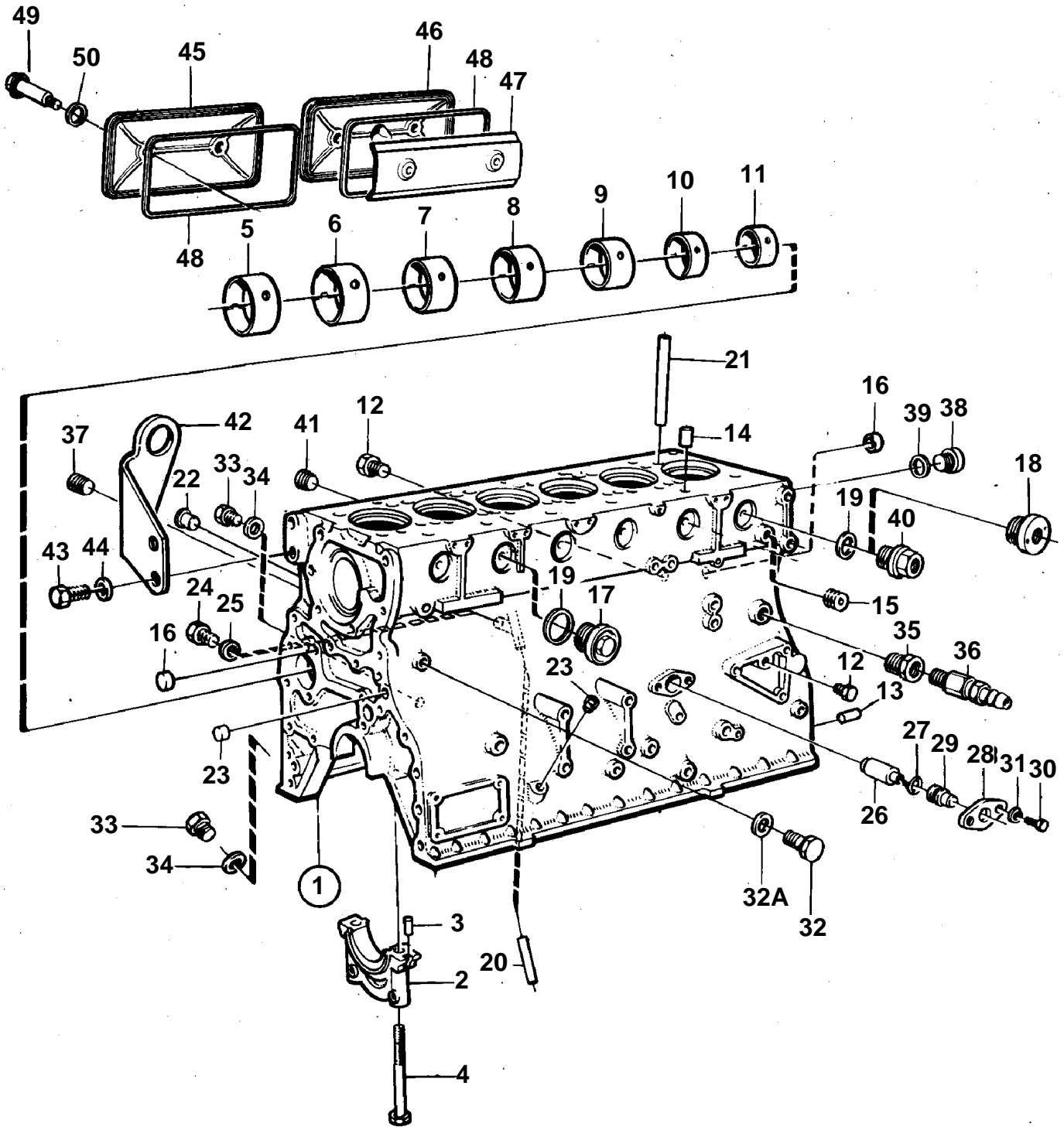


TMD102A



16407

TMD102A

REF	PART NO.	QTY	DESCRIPTION	NOTES
1	479650	1	Cylinder block	Spare part design.
2		7	· Bearing cap	
3	422426	1	· Pin	
4	422067	14	· Screw	
5	422076	1	· Bushing, camshaft	
6	422077	1	· Bushing, camshaft	
7	422078	1	· Bushing, camshaft	
8	422079	1	· Bushing, camshaft	
9	422080	1	· Bushing, camshaft	
10	422081	1	· Bushing, camshaft	
11	422082	1	· Bushing, camshaft	
12	479979	7	· Plug, 1/8-NPTF	(191026)
13	191171	2	· Pin	
14	950543	12	· Pin	
15	952075	1	· Plug, 1/4-NPTF	
16	955083	3	· Cap plug	
17	467367	4	· Plug	
18	821335	1	· Plug	
19	469328	6	· Gasket	
20	468563	1	· Pipe	
21		1	· Pipe	
22	422369	2	· Plug	
23	955082	4	· Cap plug	
24		1	· Plug, 9/16-UNF	
25	969011	1	· Gasket	
26	424801	1	· Pipe, by-pass	
27	949657	1	· O-ring	
28	424714	1	· Flange	
29	424715	1	· Plug	
30	955513	2	· Screw	
31	941906	2	· Spring washer	
32	180761	1	Plug	
32A	11996	1	Gasket	
33	948187	2	Plug, 3/4-UNF	
34	18818	2	Gasket	
35	479954	1	Nipple	(190130)
36	949918	1	Drain cock	
37	479977	1	Plug, 1/2-NPTF	
38	467366	1	Plug	
39	468463	1	Gasket	
40		1	Plug	
41	952075	1	Plug, 1/4-NPTF	
42		1	Lifting eye	
43	955561	2	Screw	
44	940280	2	Spring washer	
45	423120	2	Inspection cover	
46	423121	1	Inspection cover, crankcase vent.	
	423121	1	Inspection cover, oil filling	
47	422542	1	Splash plate	
48	469823	3	Gasket	
49	422541	6	Screw	
50	471856	6	Sealing ring	