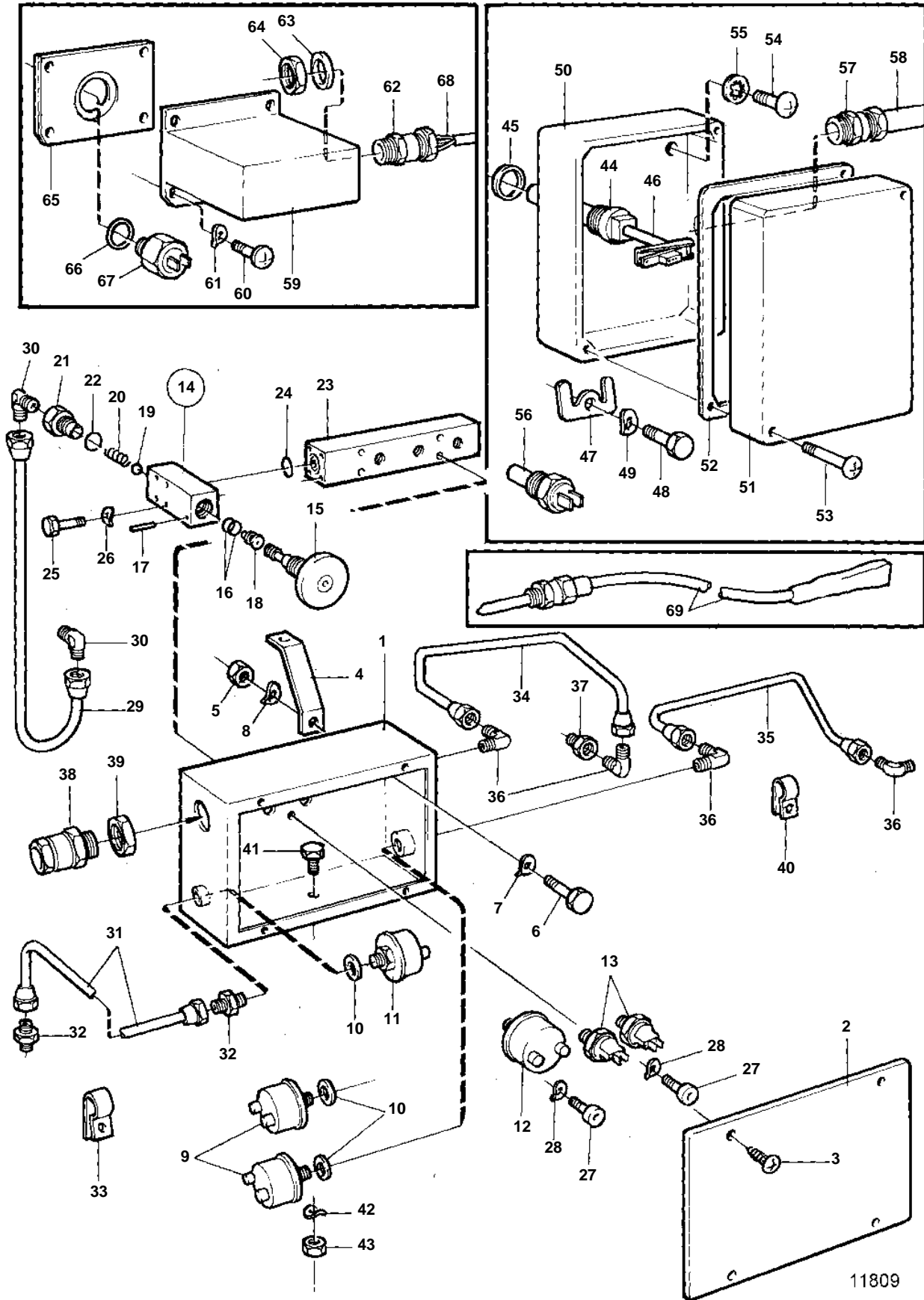


TMD102A



TMD102A

REF	PART NO.	QTY	DESCRIPTION	SEE SEC.	NOTES
1		1	Box		
2		1	Cover		
3		4	Screw		
4	846982	1	Support		
5	955826	2	Nut		
6	955524	2	Screw		
7	955894	3	Washer		
8	941907	2	Spring washer		
9	846311	2	Pressure sensor, coolant water		
10	947624	3	Gasket		
11	866838	1	Pressure sensor, turbo		(837782)
12	866833	1	Pressure sensor, oil pressure-engine		(843231)
13	873526	2	Pressure monitor, oil pressure-engine		
14	837928	1	Valve		
15		1	· Flange		
16	925052	2	· Rubber ring		
17	951938	1	· Spring pin		
18		1	· Intermediate section		
19		1	· Ball		
20	832441	1	· Spring		
21		1	· Fitting		
22	955985	1	· O-ring		
23	837938	1	· Intermediate section	OP	
24	955984	1	Sealing ring		
25		4	Screw		
26	941904	4	Spring washer		
27	942001	4	Screw		
28	941906	4	Spring washer		
29	847030	1	Tube		Oil, engine.
30	954342	2	Elbow union		
31	847031	1	Tube		Turbo pressure.
32	954335	1	Fitting		
33	940374	1	Clamp		
34	847032	1	Tube		Fresh water.
35	847033	1	Tube		Sea water
36	954343	4	Elbow nipple		
37	836192	1	Nipple		
38	881193	1	Cable union		
39	880755	1	Nut		
40	942400	1	Clamp		
41		2	Screw		
42	941907	2	Spring washer		
43	955826	2	Nut		
44	836718	1	Sleeve		
45	947626	1	Gasket		
46	837472	1	Thermo monitor		Fresh water.
47	837396	1	Lock washer		
48	956076	1	Screw		
49	941905	1	Spring washer		
50	837391	1	Housing		
51	837392	1	Cover		
52	837424	1	Gasket		
53	956301	2	Screw		
54	956568	2	Screw		
55	941907	2	Spring washer		
56	827150	1	Temperature sensor		Fresh water.
57	822327	1	Cable union		
58		X	Ship's commandclassifiable	1963	
59	843102	1	Box		
60	956059	4	Screw		
61	941904	4	Spring washer		
62	822327	1	Cable union		
63	957185	1	Gasket		

7746400 - 30 - 2901

11809

Upd: 16 JAN 2006

TMD102A, TAMD102A, TAMD102D

VOLVO
PENTA

TMD102A

REF	PART NO.	QTY	DESCRIPTION	SEE SEC.	NOTES
64	880243	1	Nut		
65	843103	1	Attaching plate		
66	925059	1	O-ring		
67	354671	1	Tachometer sensor		
68		X	Ship's commandclassifiable	1963	
69	842950	1	Temperature sensor		Exhaust temp.