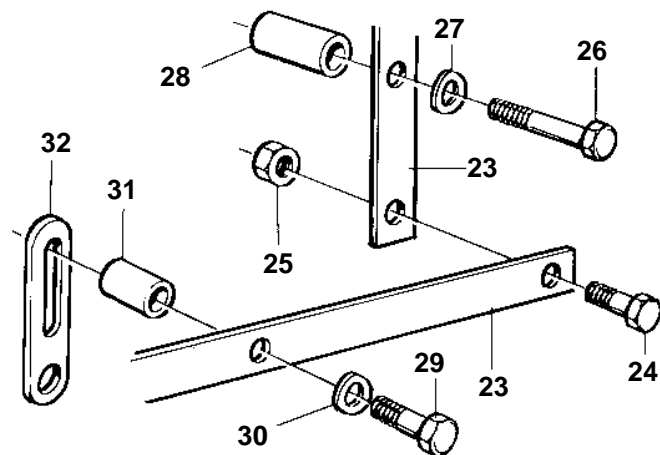
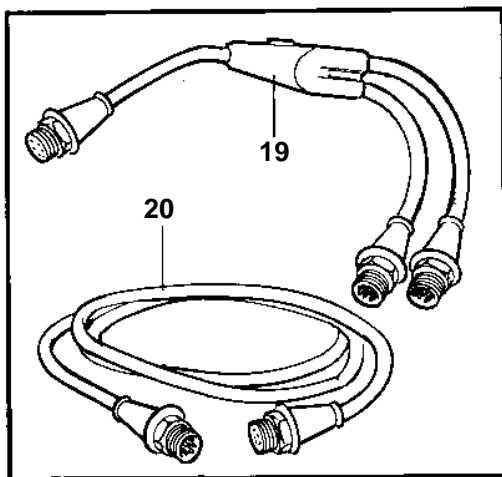
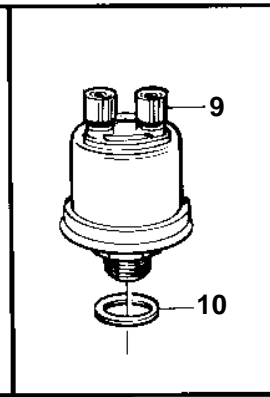
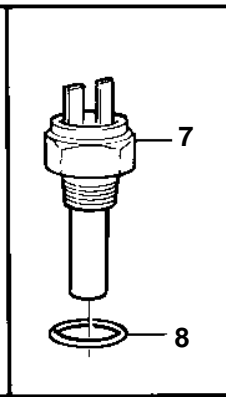
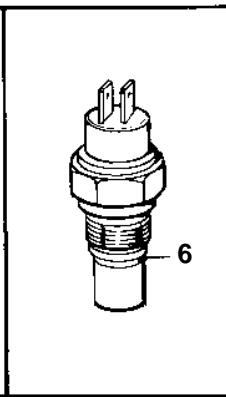
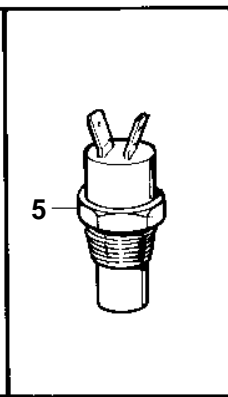
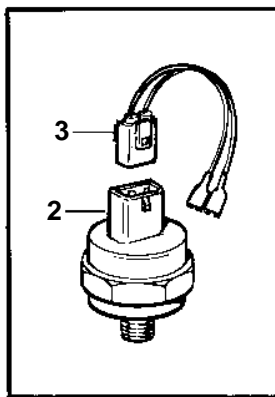
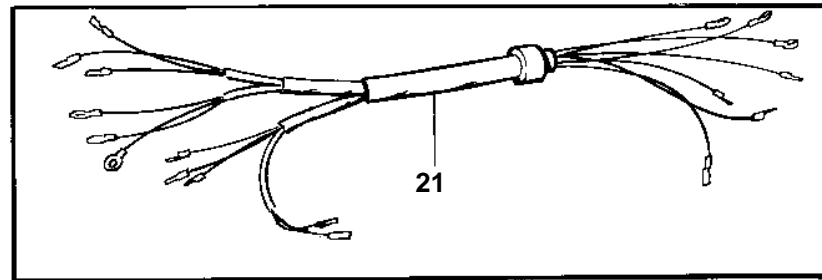
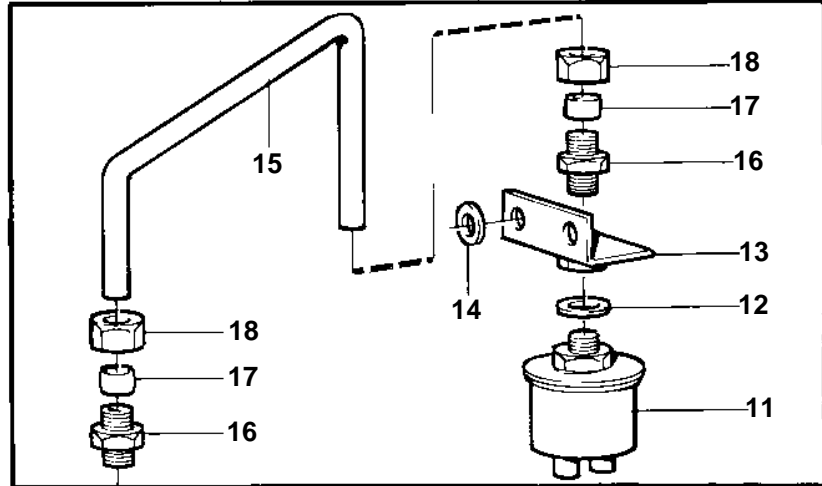
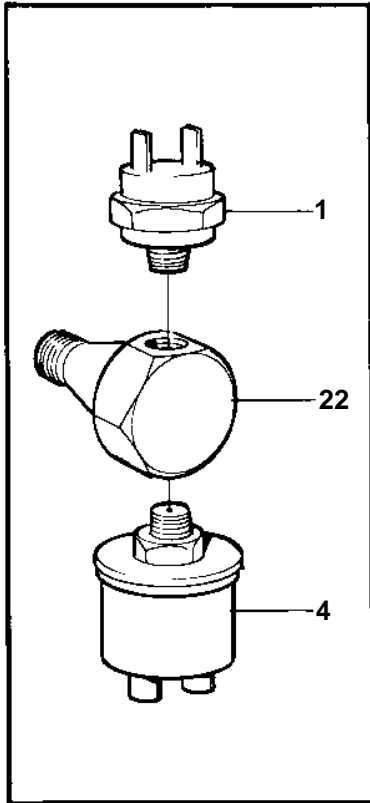


TMD102A



16556

TMD102A

REF	PART NO.	QTY	DESCRIPTION	NOTES
1	848367	1	Pressure switch, oil pressure-engine	REPL BY 863169 + 873601
2	863169	1	Pressure monitor, oil pressure-engine	
3	873601	1	Cable	
4	843231	1	Oil pressure sensor, oil-engine	REPL BY 866833
	866833	1	Pressure sensor, oil-engine	0-10 bar
	843232	1	Oil pressure sensor, oil-engine	REPL BY 866834. For double instruments.
	866834	1	Pressure sensor, oil-engine	For double instruments.
5	822858	1	Thermo monitor	97°C
6	827150	1	Temperature sensor, coolant water temp.	90°C
	837044	1	Temperature sensor, coolant water temp.	For double instruments.
7	354671	1	Tachometer sensor	
8	949656	1	O-ring	(925059)
9	837781	1	Pressure sensor, reverse gear	REPL BY 866840
	866840	1	Pressure sensor, reverse gear	0-30 bar
10	947624	1	Gasket	
11	837782	1	Pressure sensor, turbo	REPL BY 866838
	866838	1	Pressure sensor, turbo	0-2 bar
12	947624	1	Gasket	
13	843698	1	Bracket	
14	955894	1	Washer	
15	843700	1	Tube	
16	954379	2	Nipple	
17	954365	2	Fitting	
18	954357	2	Cap nut	
19	1140598	1	Y-koppling	(828826)
20	846648	1	Extension cable	L=3000mm
	846649	1	Extension cable	L=5000mm
	846650	1	Extension cable	L=7000mm
21	862859	1	Cable trunk	ENGINE
22	942490	1	T-nipple, cylinder block	
23			Cable iron	
24		4	Screw	
25	955825	1	Nut	
26	940161	1	Screw	
27	941907	1	Spring washer	
28	820508	1	Spacer sleeve	
29	940162	1	Screw	
30	942336	1	Spring washer	
31	827861	1	Spacer sleeve	
32	965545	1	Bracket	