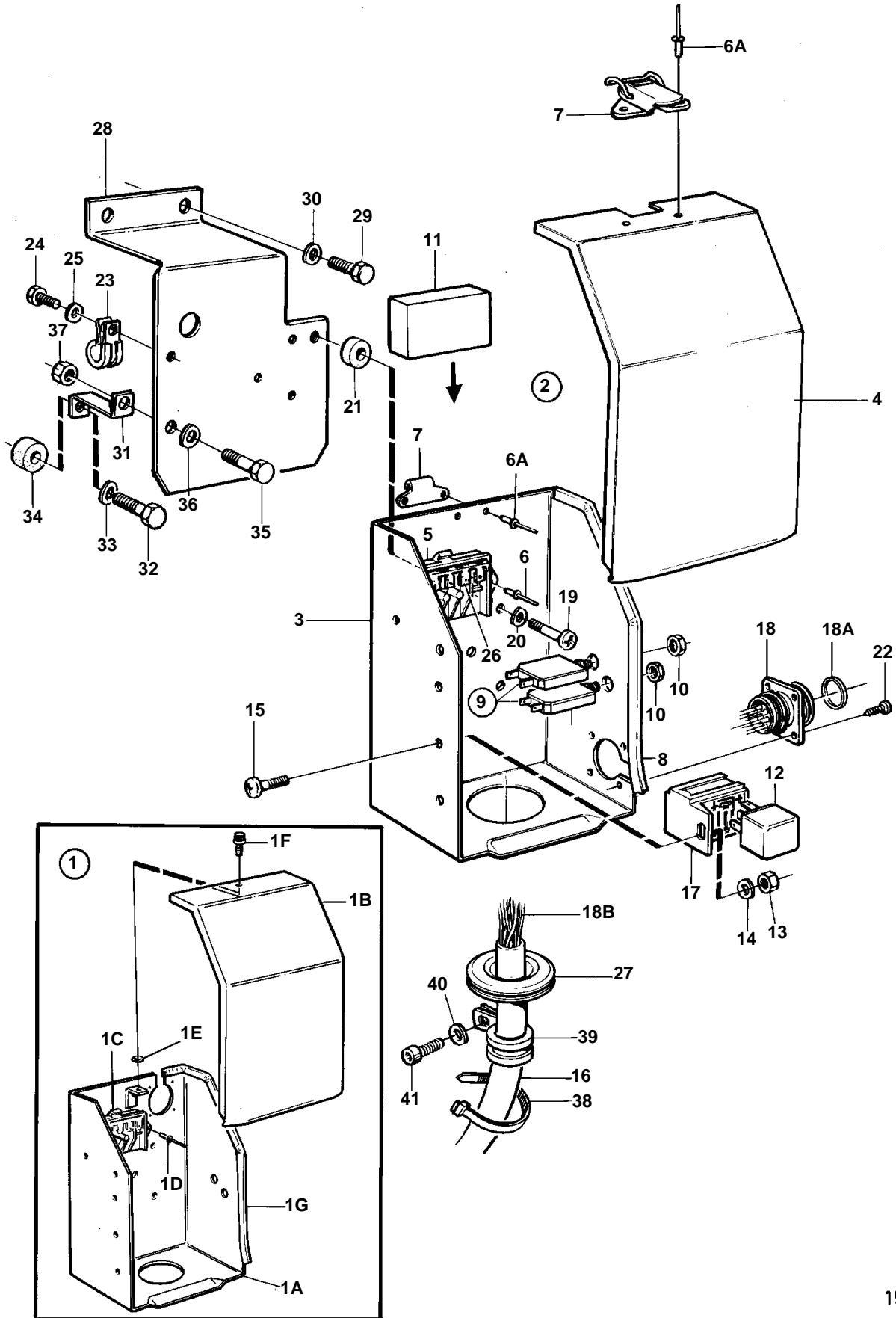


TMD102A, TAMD102A, TAMD102D



15360

## TMD102A, TAMD102A, TAMD102D

REF	PART NO.	QTY	DESCRIPTION	SEE SEC.	NOTES
1	846660	1	Electrical distribut		REPLACED BY 3825254
1A	846791	1	• Box		REPLACED BY 3825254
1B		1	• Cover		
1C	1234048	1	• Lower section		
1D	942670	2	• Rivet		
1E	925051	1	• O-ring		
1F	846736	1	• Lock screw		
1G	1214306	1	• Protecting moulding		
2	3825254	1	Electrical distribut		LATE TYPE
3		1	• Box		
4	3825253	1	• Cover		
5	1234048	1	• Lower section		
6	942670	2	• Rivet		
6A		4	• Rivet		
7	3825257	1	• Tension lock		
8	1214306	1	• Protecting moulding		
9	966689	2	Fuse		
10		2	• Nut		
11	9162425	1	Upper section		(1234264)
12	8153600	2	Relay		
13	955780	4	Nut		
14	941905	4	Spring washer		
15	956075	4	Screw		
16	862859	1	Cable trunk		
17	977184	2	• Tab housing		
18	846611	1	• Sleeve connector		
18A	846615	1	• Sealing ring		
18B		X	• Electrical materials	1963	
19	956095	3	Screw		(956094)
20	941906	3	Spring washer		
21	843075	3	Sleeve		(845589)
22	955119	4	Screw		
23	949747	1	Clamp		
24	955294	1	Screw		
25	941907	1	Spring washer		
26	1234263	1	Pin		
27	943920	1	Protecting plug		
28	846819	1	Bracket		
29	940133	2	Screw		
30	942336	2	Spring washer		
31	846912	1	Bracket		
32	955562	1	Screw		
33	940280	1	Spring washer		
34	823196	1	Spacer sleeve		
35	955524	1	Screw		
36	941907	1	Spring washer		
37	955826	1	Nut		
38	948210	X	Strip clamp		
39	946834	1	Clamp		Mounted on the heat exchanger.
40	941907	1	Spring washer		
41	956567	1	Screw		