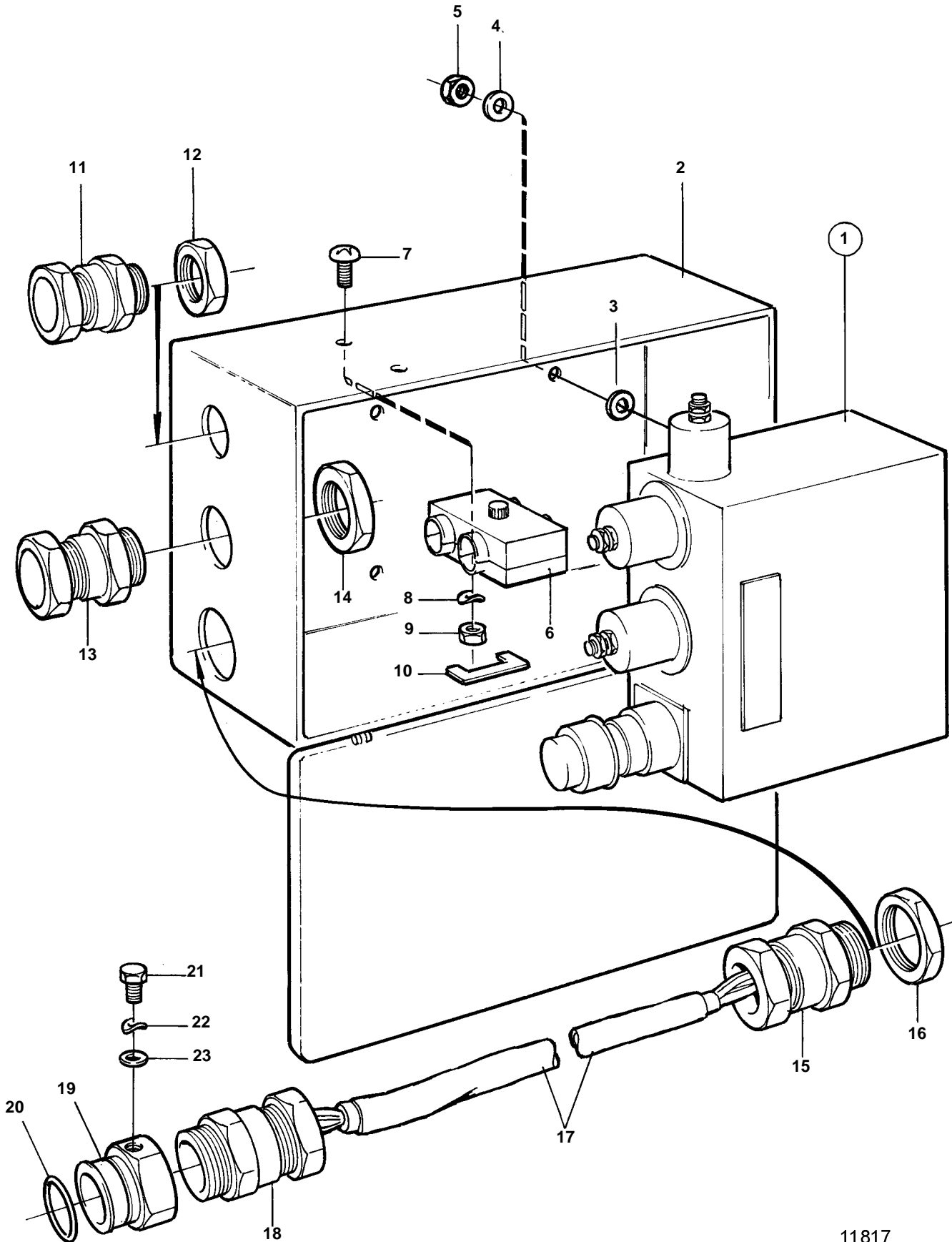


TMD102A



11817

TMD102A

REF	PART NO.	QTY	DESCRIPTION	SEE SEC.
1	823766	1	Charge regulator	
				2488
2	846266	1	Electrical distribut	
3	955893	4	Washer	
4	941906	4	Spring washer	
5	955846	4	Nut	
6		1	Fuse box	
7	956076	2	Screw	
8	941905	2	Spring washer	
9	955780	2	Nut	
10	239148	2	Fuse	
11	822327	1	Cable union	
12	880243	1	Nut	
13	881193	1	Cable union	
14	880755	1	Nut	OP
15	881194	1	Cable union	
16	1585467	1	Nut	
17		X	Ship's command	1963
18		1	Fitting	
19	843197	1	Retainer	
20	925063	1	O-ring	
21	955269	1	Screw	
22	941906	1	Spring washer	
23	960139	1	Washer	