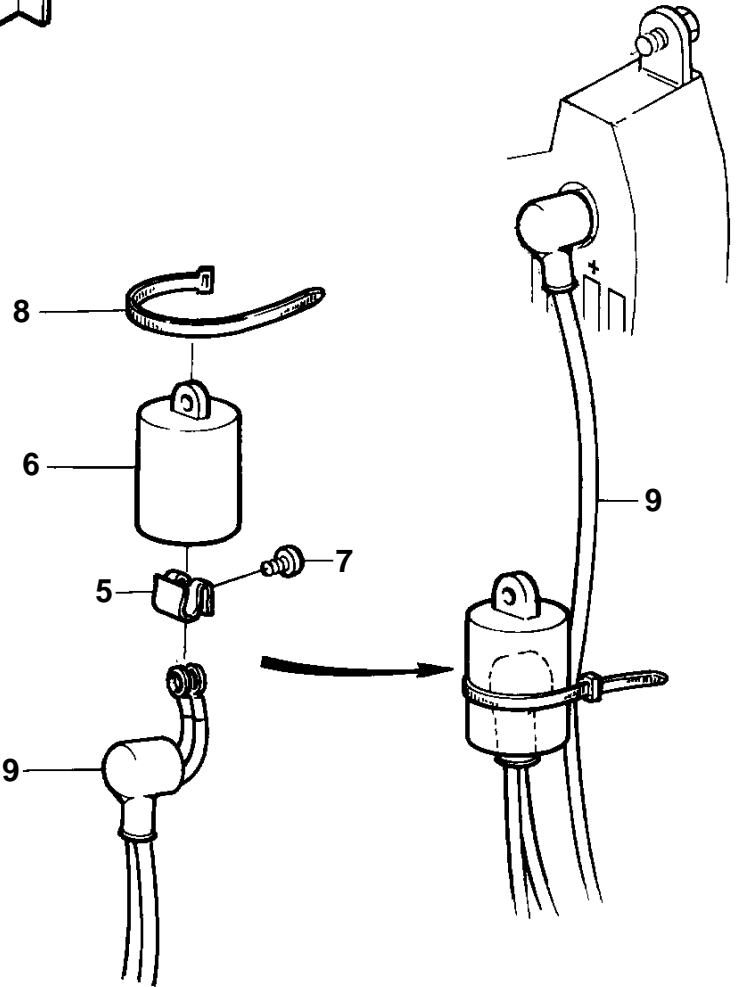
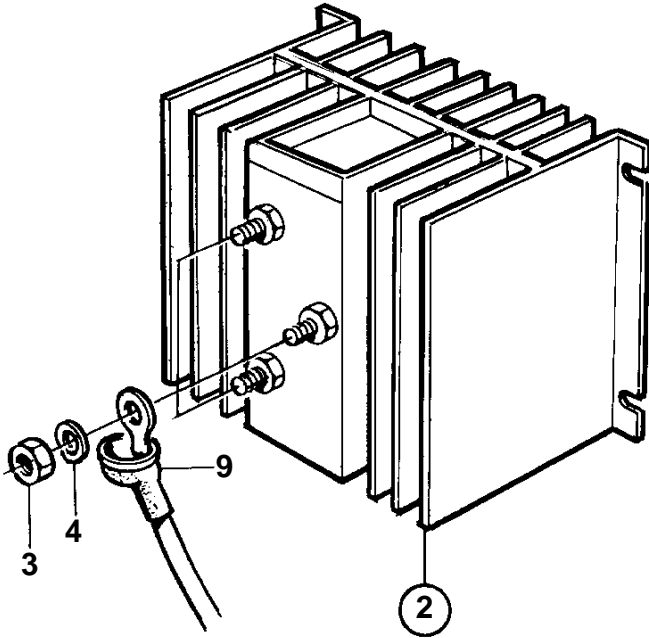


COMMON

1



**COMMON**

| REF | PART NO. | QTY | DESCRIPTION          | SEE SEC. | NOTES   |
|-----|----------|-----|----------------------|----------|---|
| 1   | 873120   | 1   | Charge distributor   |          | For charging of 2 batteries.. For alternators 12-28V up to 60A.<br>Charging Distributor |
|     |          |     | Bulletin 52-07       | 52-07-EN |   |
|     |          |     | Bulletin 52-11       | 52-11-EN |   |
| 2   |          | 1   | • Charge distributor |          |   |
| 3   | 955846   | 3   | • Nut                |          |   |
| 4   | 941906   | 3   | • Spring washer      |          |   |
| 5   | 859492   | 1   | • Spring nut         |          |   |
| 6   | 859493   | 1   | • Protecting casing  |          |   |
| 7   | 955126   | 1   | • Screw              |          |   |
| 8   | 948211   | 1   | • Strip clamp        |          |   |
| 9   |          | X   | Electrical materials | 1963     |   |