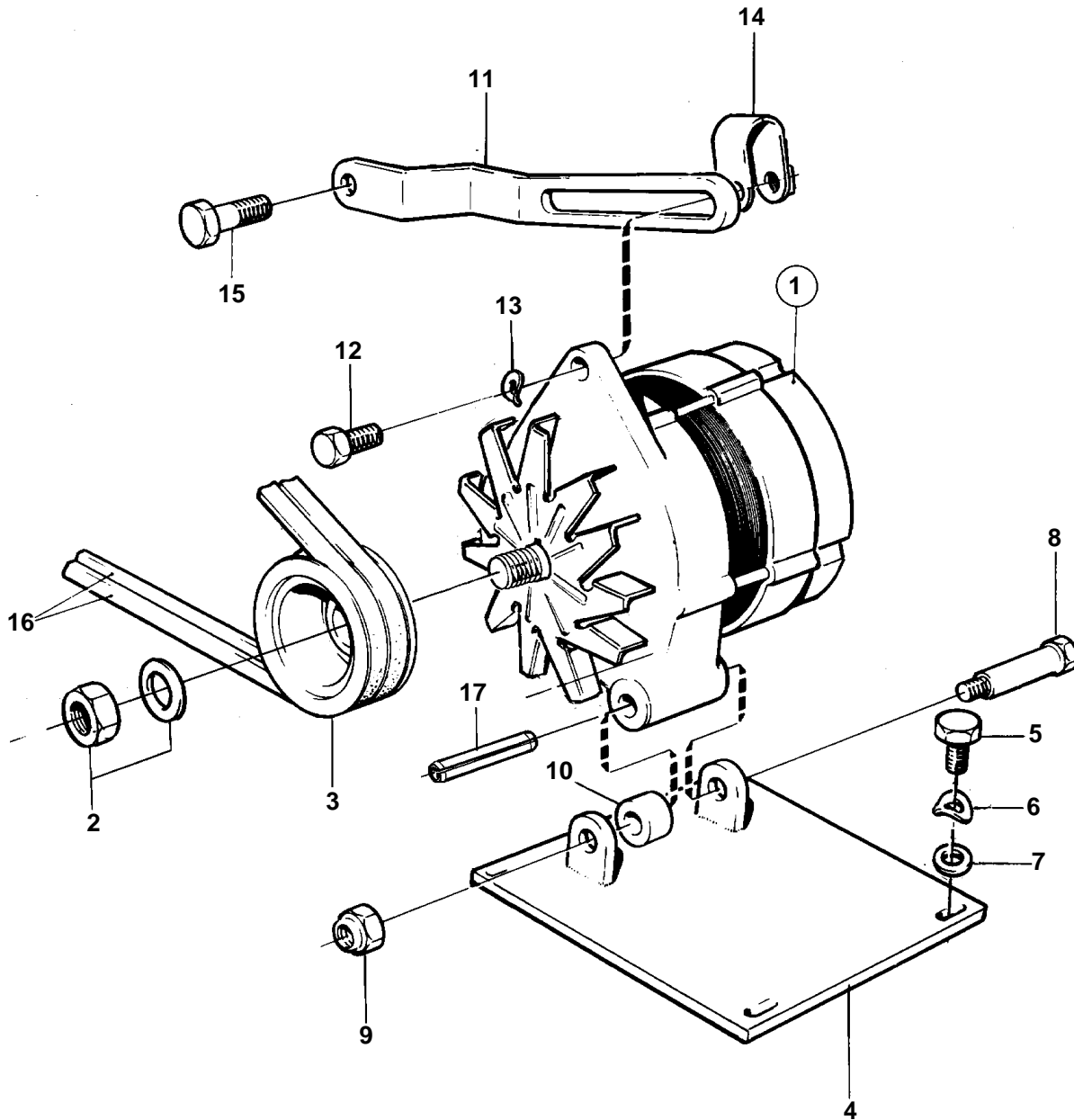


TAMD102D



15370

TAMD102D

REF	PART NO.	QTY	DESCRIPTION	SEE SEC.	NOTES
1	872021	1	Alternator		28V 60A. For 24 voltage electric system
				127	
2		1	• Mounting kit	127	
3	841812	1	Pulley		
4	823935	1	Bracket		
5	940135	4	Screw		
6	941907	4	Spring washer		
7	955894	4	Washer		
8	822580	1	Screw		
9	950355	1	Nut		
10	912151	1	Spacer ring		
11	846831	1	Tensioner		
12	955298	1	Screw		
13	941907	1	Spring washer		
14	466735	1	Tensioning eyelet		
15	955536	1	Screw		
16	966870	1	V-belt kit		
17	1610144	1	Pin		