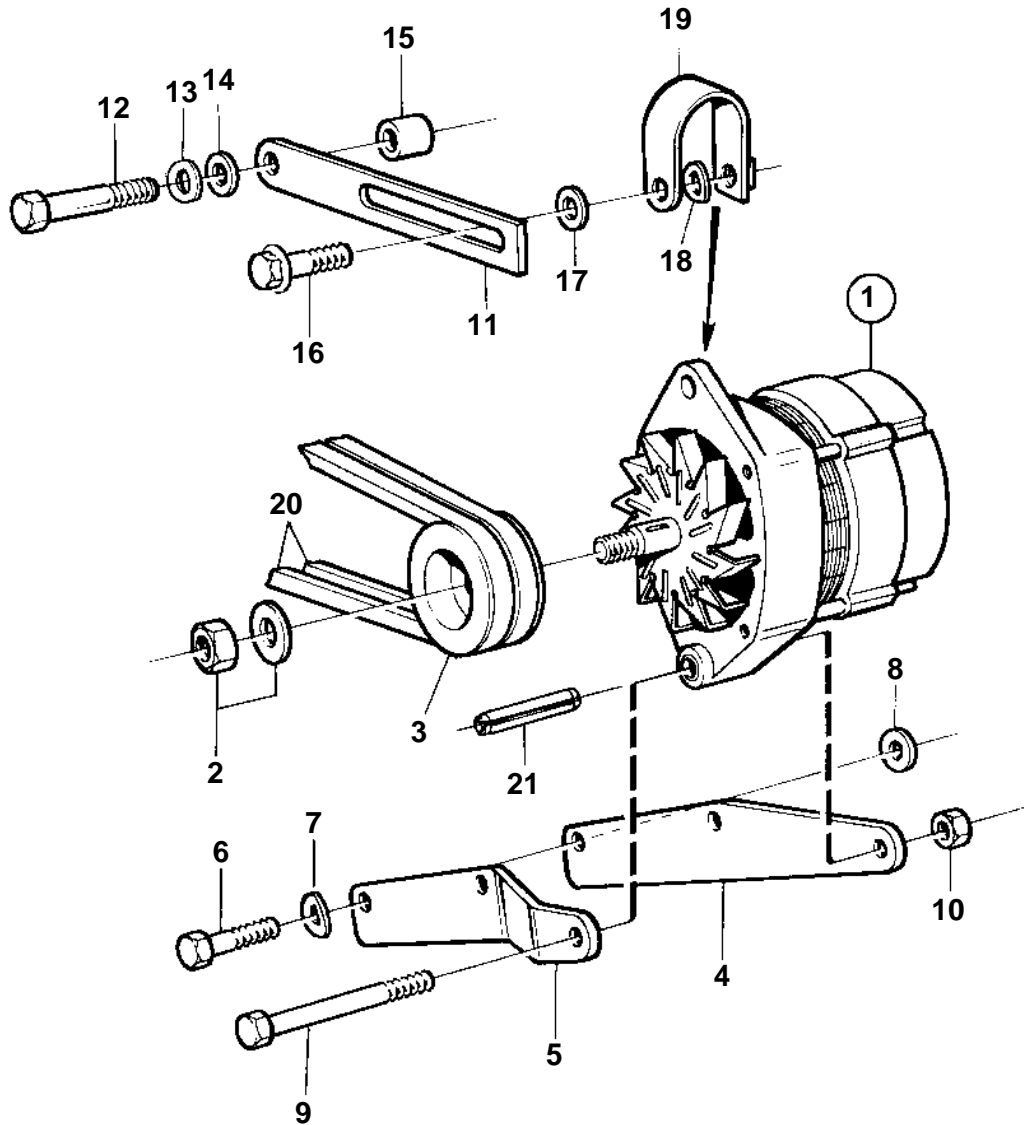


TAMD102A, TAMD102D



15368

TAMD102A, TAMD102D

REF	PART NO.	QTY	DESCRIPTION	SEE SEC.	NOTES
1	872021	1	Alternator		28V 60A. For 24 voltage electric system
				127	
2		1	• Mounting kit	127	
3	841812	1	Pulley		
4	863915	1	Bracket		
5	863914	1	Bracket		
6	955538	2	Screw		
7	942336	2	Spring washer		
8	960142	2	Washer		
9	955556	1	Screw		
10	950355	1	Nut		
11	864721	1	Tensioner		
12	942338	1	Screw		
13	942336	1	Spring washer		
14	940097	1	Washer		
15	842930	1	Spacer sleeve		
	843028	1	Spacer sleeve		L=25mm. For engines in with keel cooling.
16	948217	1	Flange screw		
17	960141	1	Washer		
18	941907	1	Spring washer		
19	466734	1	Tensioning eyelet		
20	966972	1	V-belt kit		
21	1610144	1	Pin		